

Real-time Visual LED Display Board

VE Series

Our VE Series Visual LED Display serves as a rugged, factory floor Andon system, with real-time production status indication to alert product performance to workers and supervisors. The VE Series Visual LED Display is easy to install directly on operator workstations or automated machinery, and the wireless remote control unit enables easy setup. The VE Series Visual LED Display comes in 2 models (25mm or 100mm character height), and it fully supports the principles of "Kaizen" (continuous improvement) to achieve a "Visual Factory" , where clear and easy to understand information is quickly accessible.

- Improve Manufacturing Productivity
- Reduce Down Time for "Kaizen"
- Ideal for Lean Manufacturing
- Real-time Production Monitoring
- Large Digital Displays
- Easy Installation

Simple

Economical

Lean Manufacturing System

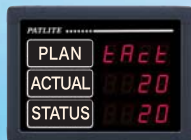
- Easy Set-up



Plan



Prescale



Takt Time

- Three Terminal Output



Progress Loss
Red Light
Progress Gain
Amber Light Flash
Goal
Green Light Flash



VE100-304SU
3 Row, 4 Digit Type
Digit Size : 100mm

- Optional Bracket (for VE-100) Available



VE-100 Brackets
(Set of 2, Sold Separately)



VE-IRU
Infrared Remote Control Unit
(Sold Separately)

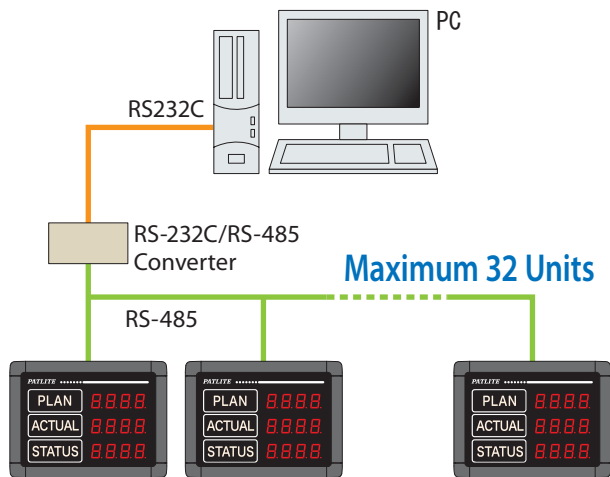


VE25-304SU
3 Row, 4 Digit Type
Digit Size : 25mm

* Compliant with FCC Title 47 Part 15 Subpart B

System Configurations

Serial Network Application



Stand Alone Application

Output Devices

Input Devices

- Beacons
- Audible Alarms
- Annunciators

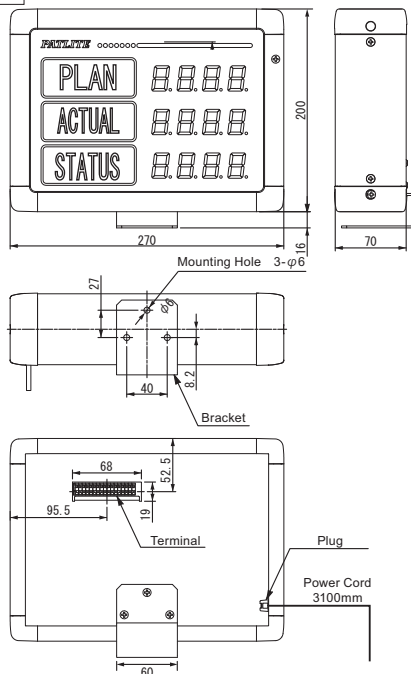


- Manual Switch
- Micro Switch
- Relay
- RS485 Converter

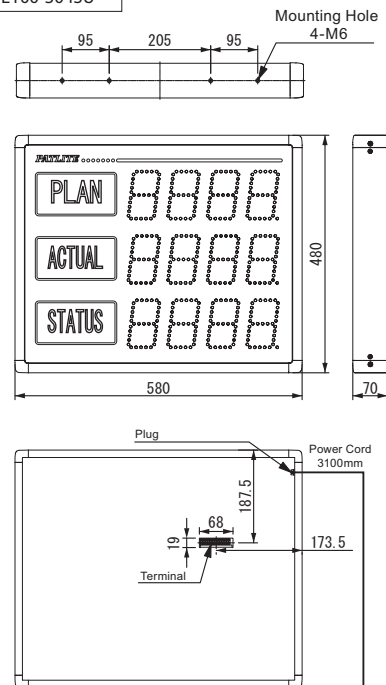


Dimensions

Model VE25-304SU



Model VE100-304SU



Unit:mm

<http://www.patlite.com>

PATLITE Corporation E-mail: overseas@patlite.co.jp

International Division, Sales and Marketing Department
8-8, Matsuyamachi, Chuo-ku, Osaka, Japan 542-0067

TEL: +81-6-6763-8220 FAX: +81-6-6763-8221

PATLITE (U.S.A.) Corporation

0130 S. Western Ave. Torrance, CA 90501, U.S.A.

E-mail: sales@patlite.com
TEL: +1-310-328-3222 FAX: +1-310-328-2676

PATLITE (SINGAPORE) PTE LTD

No.2 Leng Kee Road, #05-01 Thye Hong Centre, Singapore 159086

E-mail: sales@patlite.com.sg
TEL: +65-6226-1111 FAX: +65-6324-1411

PATLITE (CHINA) Corporation

Room 512, Jufeng Business Building, No.697-3 Lingshi Road, Shanghai China 200072

E-mail: sales@patlite.cn
TEL: +86-21-6630-8969
FAX: +86-21-6630-8938

PATLITE Europe GmbH

Am Soeldnermoos 8, D-85399 Hallbergmoos, Germany

E-mail: info@patlite.eu
TEL: +49-0-811 9981 9770-0 FAX: +49-0-811 9981 9770-9

PATLITE KOREA CO., LTD.

202 Seokwang Bldg. 1361-9 Seocho-dong, Seocho-gu, Seoul, 137-863

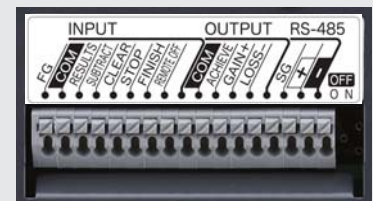
E-mail: sales@patlite.co.kr
TEL: +82-2-523-6636
FAX: +82-2-523-6637

P.T. PATLITE INDONESIA (FACTORY)

LOT 321 Batamindo Industrial Park, Jalan Beringin Mukakuning, Batam 29433 Indonesia

TEL: +62-770-61-1123
FAX: +62-770-61-2444

Screwless Terminal (No tools required)



Cage clamp terminals, just push and release for secure contact. No tools are required.

CAUTION

To ensure correct use of these products, read the "Instruction Manual" prior to use. Failure to follow all safeguards can result in fire, electric shock, or other accidents. Specifications are subject to change without notice.



PATLITE ECO PROJECT

For the benefit of mankind and the earth, Patlite is committed to developing environmentally friendly products.

"PATLITE" and the Patlite logo are registered trademarks of the Patlite Corporation.

1218A 0911