

WE / WEP

Slim Wall-Mount Signal Tower



LED

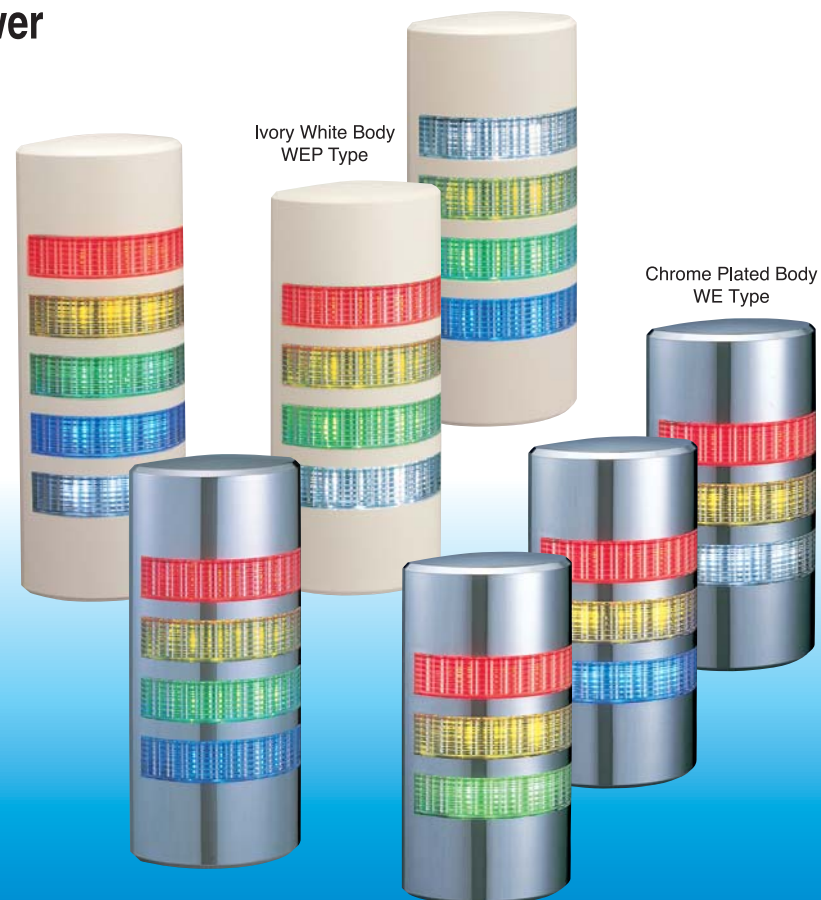


90dB at 1m (FB type)

Electronic Sound 2 (FB type)

IP65 (FB type: IP54)

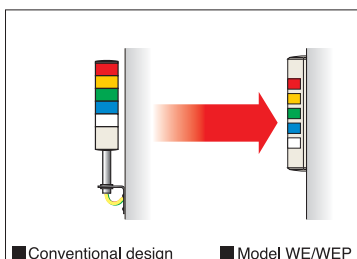
NPN/PNP Open collector



Ultra slim half-moon shaped Signal Tower offers seamless integration with most equipment.

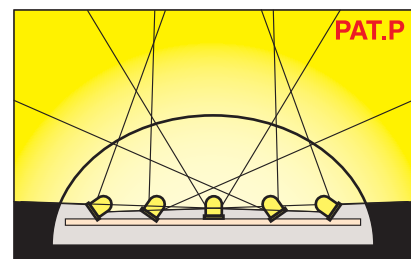
- Clear Vertical Cut Lens: For enhanced illumination over a wide perspective.
- FB type: Built-in audible alarm with 90dB at 1m.
- Installation: Vertical and horizontal.
- Body Color: Chrome plated or ivory white.
- Lens: Superior impact and heat resistant polycarbonate resin for superior durability and enhanced illumination.
- NPN/PNP Compatible: Direct connection to PLC (24V DC ONLY)
- Lighting Pattern: Flashing and Continuous.
- Dust-proof and waterproof IP65 (except for FB type: IP54).
- Available Colors: Red, Amber, Green, Blue, Clear/White.
- Conforms to the CE requirements.
- UL Recognized Component (File No. E215660).

37.5 mm Super-thin design !



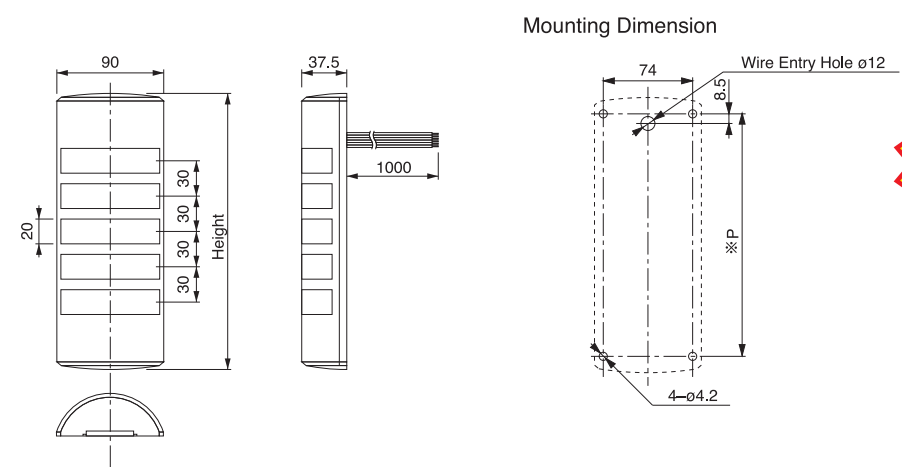
Patlite has perfected a 37.5mm-thin design that significantly enhances integration with the equipment as a built-in signal system.

New and exclusive LED lighting design



Patlite has created a revolutionary lighting design (patent pending) in which multiple LEDs project light across a broad peripheral area, ensuring equal intensity at the sides as well as the front. This design, with its side-projection technology, is a unique achievement in signal light design.

Dimensions



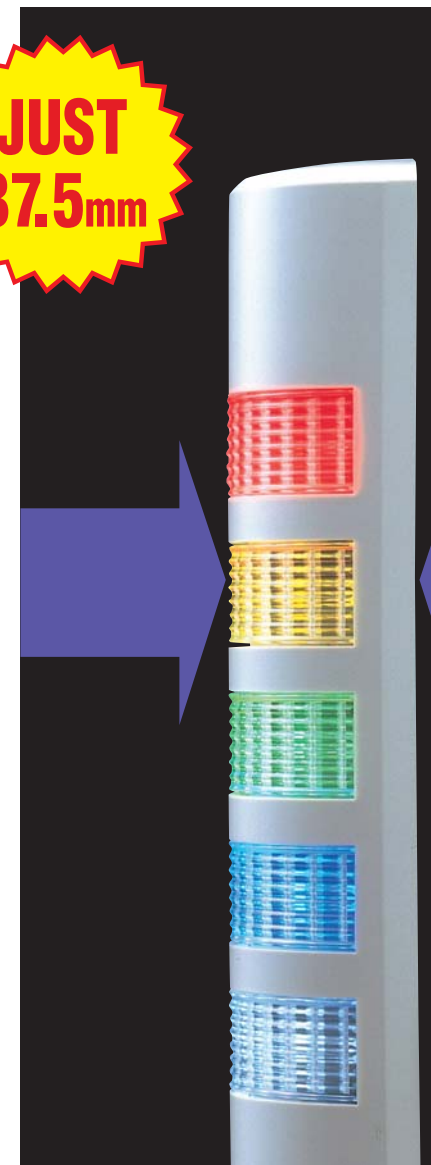
Height (mm)
3 Lights: 176
4 Lights: 206
5 Lights: 236

※ P (mm)
3 Lights: 150
4 Lights: 180
5 Lights: 210

JUST 37.5mm



IP65 construction is safe for installation in damp locations, dusty factories and outdoor environments.



Wiring Diagram

Note: See page 174 for wiring diagram

WE / WEP Type

Light System	Model	Rated Voltage	Power Consumption	Mass
3 Lights	WE(P)-302	24V AC/DC	1.7W	0.26kg
	WE(P)-302FB	24V AC/DC	2.7W	0.30kg
4 Lights	WE(P)-402	24V AC/DC	2.0W	0.31kg
	WE(P)-402FB	24V AC/DC	3.2W	0.35kg
5 Lights	WE(P)-502	24V AC/DC	2.7W	0.31kg
	WE(P)-502FB	24V AC/DC	3.7W	0.35kg

FB type: approx 60 flashes per minute

How to Order

WEP-302FB-RYG	
Body color WE: Chrome plated WEP: Ivory white	Color R: Red Y: Amber G: Green B: Blue C: Clear/White Top to bottom
Stacks 3~5	Type Blank: Continuous light FB: Continuous or flashing light with audible alarm
Rated Voltage 02: 24V AC/DC	