

指定公差 General Tolerance	角度公差 ± [°]				寸法公差 ± [mm]					符号 Sym.	年月日 Date	訂正履歴 Revisions	記印 Sgn.	検印 Chk.
	10 50 100 ~				6 30 120 300 1000									
	10 50 100 ~				精 f 0.05 0.1 0.2 0.4 0.6									
	精 f 1 0.5 0.3 0.1				中 m 0.1 0.3 0.5 0.7 1									
粗 v 3 1.5 1 0.5				粗 c 0.3 0.5 1 1.2 2										

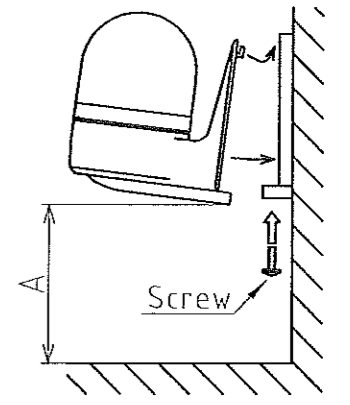
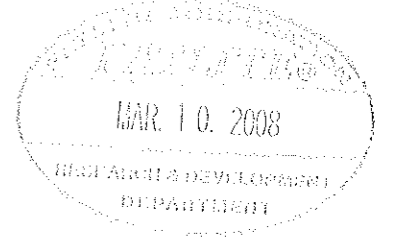
Model No. configuration

WHB-100A-R

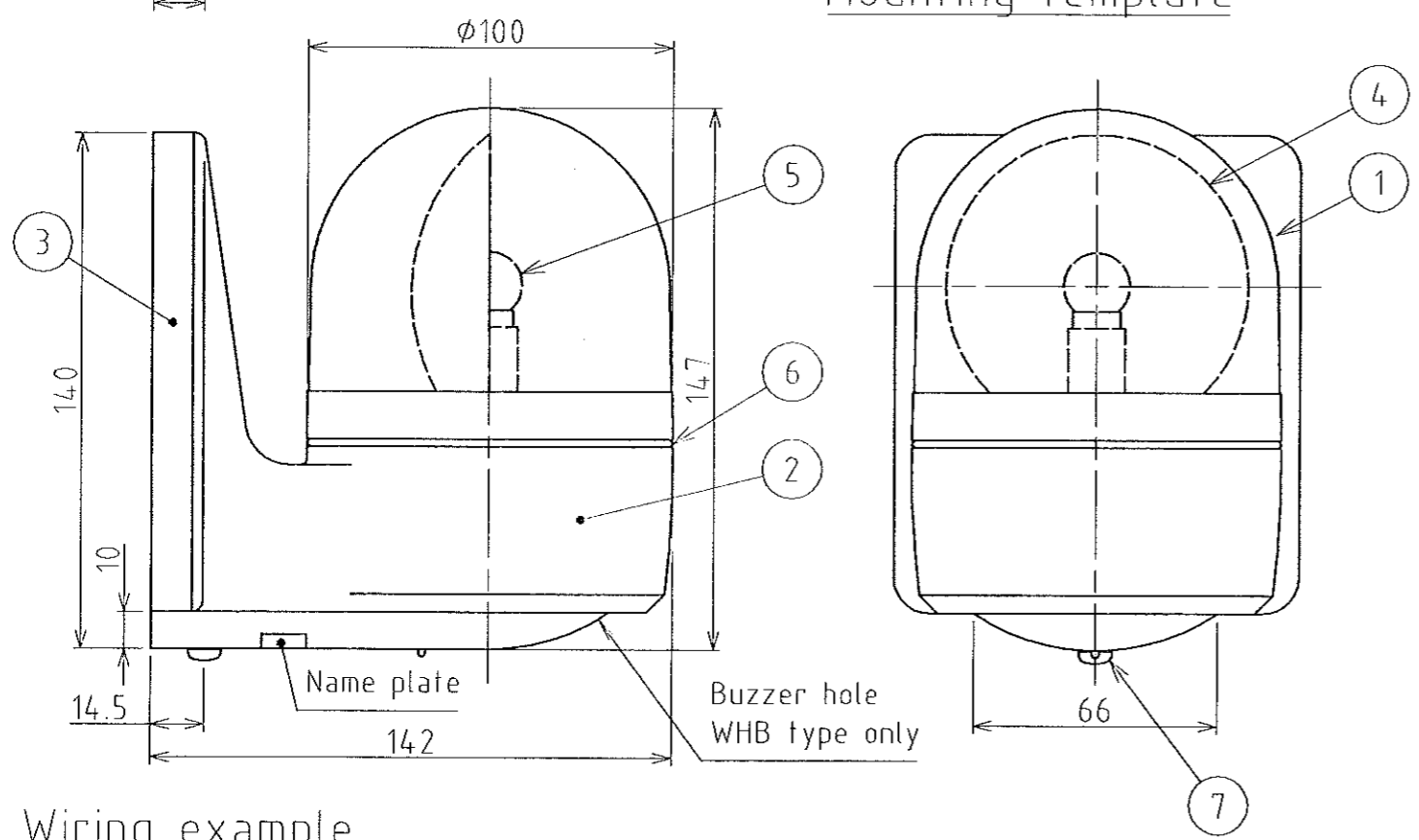
Light method  
B: Revolve and Buzzer  
Without: Revolve

Dome color  
R: Red  
Y: Amber  
G: Green  
B: Blue

Rated voltage  
24A: 24V DC  
100A: 100V AC  
200A: 200V AC  
24AAC: 24V AC



Drawing 1

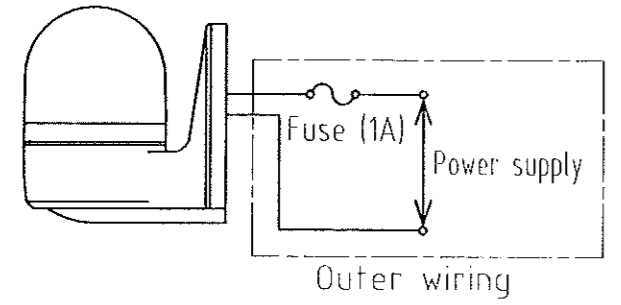


[Note]

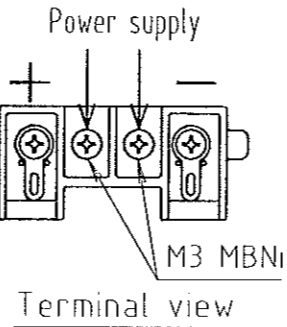
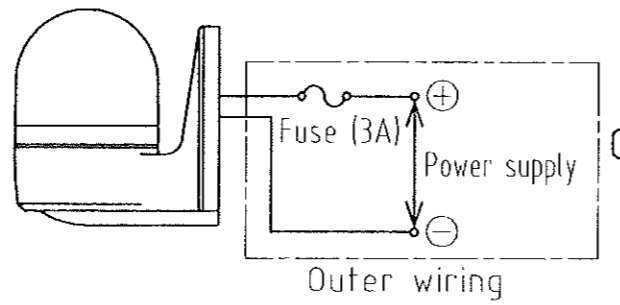
1. This product has not power cord. Please connect the power supply wire with terminal on the mounting plate.
2. Please select the mounting wall with enough strength and low vibration.
3. When the mounted wall surface is not flat enough and can not avoid water intrusion, please provide seal coating between the wall and mounting plate.
4. When selecting a location, be sure to leave sufficient space between the ceiling or other obstacles and the unit for the screwdriver usage to fasten the casing (Drawing 1)

Wiring example

Type WH(B)-100A/200A



Type WH(B)-24A/24AAC

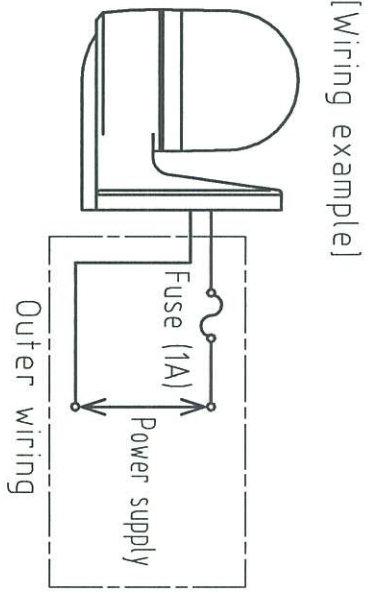
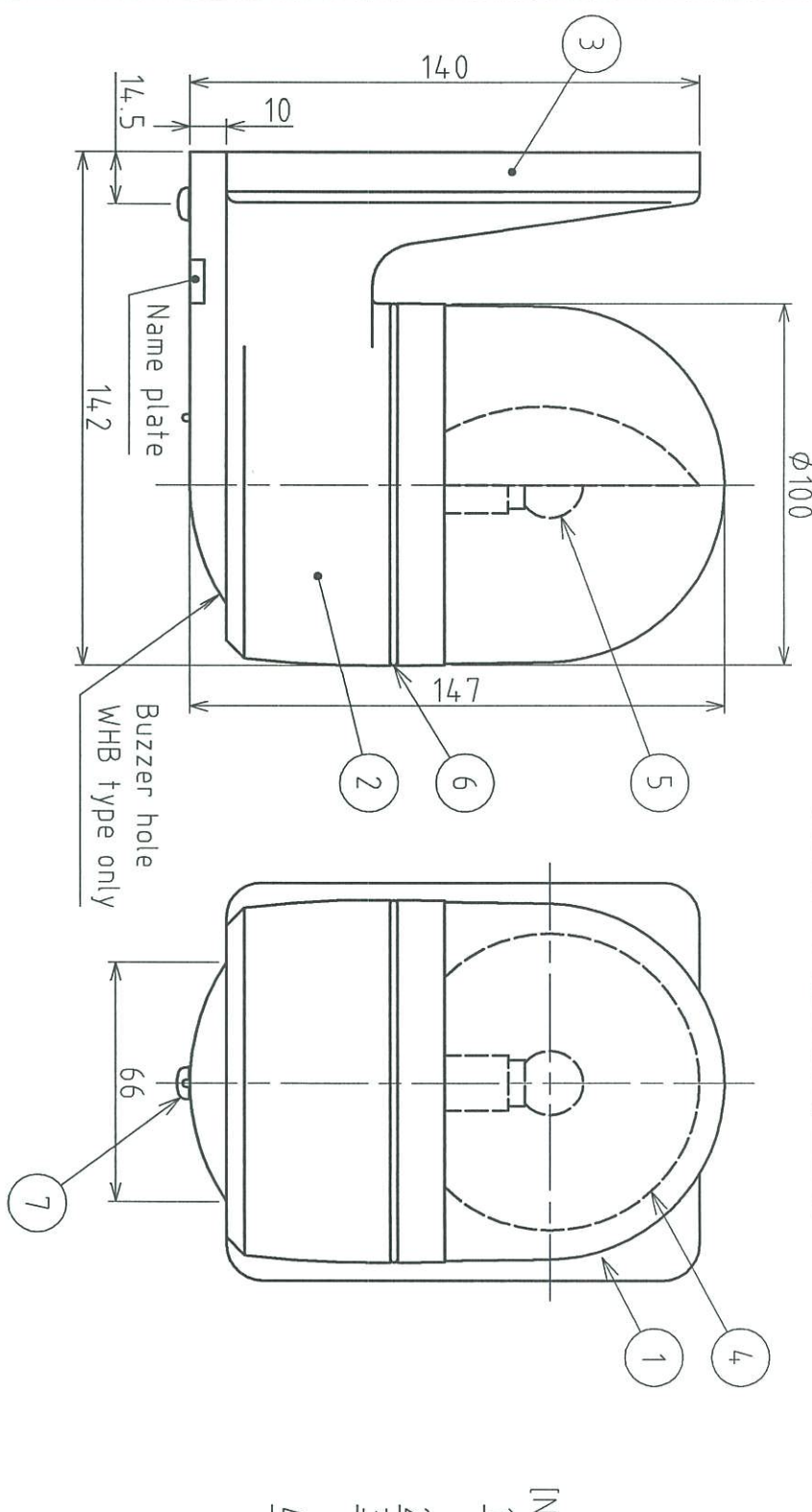
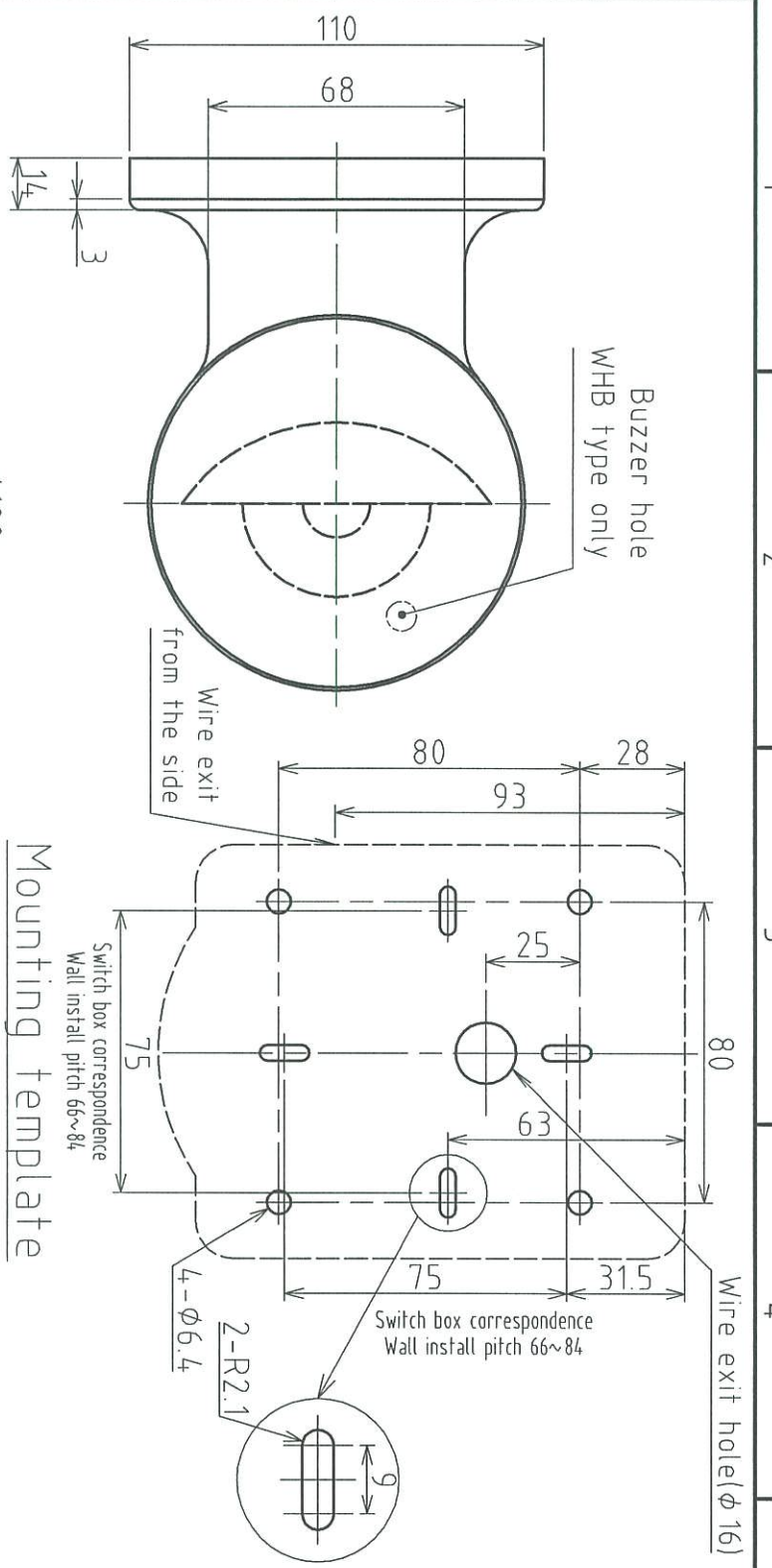


\* The model of AC specification does not have the polarity

7	Screw	-	1	M5x12 / SUS	
6	O-Ring	-	1	NBR Black	
5	Bulb	-	1		Ref. Specifications
4	Reflector	-	1	PC/Aluminum coating	
3	Mounting plate	-	1	ABS	Light gray
2	Body	-	1	ABS	Light gray
1	Dome	-	1	PC	Red·Amber Green·Blue

番号 No.	部品名 Part Name	品目コード Part No.	数量 Qty.	材料 & 寸法 & 処理 Material & Size & Finish	記事 Remarks
設計 Dgn.by	製図 Drn.by	検図 Chk.by	承認 App.by	図名 Name	機種名 Model
M.Yoshida	Y.Nagayama		M.Yoshida	Specifications	WH(B)-24A/24AAC/100A/200A
01.Oct'02	29.Sep'03		03.Dec'03	Dimensions	特注No. S.P.No.
三角法 3rd Angle P.	単位 Unit mm	尺度 Scale 1:2	株式会社 パトライト PATLITE Corporation		図番 Drawing No. WH-100A-A18D-2/2

角度公差 Angular tolerance	寸法公差 Dimensional tolerance	符号 Sym.	年月日 Date	訂正履歴 Revisions	記印捺印 Sgn. Chk.
±1	±0.1	△			
±0.1	±0.05	△			
±0.05	±0.02	△			
±0.02	±0.01	△			
±0.01	±0.005	△			
±0.005	±0.002	△			
±0.002	±0.001	△			
±0.001	±0.0005	△			
±0.0005	±0.0002	△			
±0.0002	±0.0001	△			
±0.0001	±0.00005	△			



[Model No. configuration]

#WHB-120A-R FA001

TOKUP0 No.

Light method  
B: Revolve and Buzzer  
Without: Revolve

Rated voltage  
120A: 120V AC

Dome color  
R: Red  
Y: Amber  
G: Green  
B: Blue

Drawing 1

- [Note]
1. This product has not power cord. Please connect the power supply wire with terminal on the mounting plate.
  2. Please select the mounting wall with enough strength and low vibration.
  3. When the mounted wall surface is not flat enough and can not avoid water intrusion, please provide seal coating between the wall and mounting plate.
  4. When selecting a location, be sure to leave sufficient space between the ceiling or other obstacles and the unit for the screwdriver usage to fasten the casing. (Drawing 1)



No.	部品名 Part Name	品目コード Part No.	数量 Qty.	材料 & 寸法 & 処理 Material & Size & Finish	記事 Remarks
7	Screw	-	1	M5x12 / SUS	
6	O-Ring	-	1	NBR	Black
5	Bulb	-	1	-	Ref. Spec
4	Reflector	-	1	PC/Aluminum coating	Light gray
3	Mounting plate	-	1	ABS	Light gray
2	Body	-	1	ABS	Light gray
1	Dome	-	1	PC(Color:Red-Amber-Green-Blue)	

設計 Dgn. by	製図 Dwn. by	検図 Chk. by	承認 App. by	図名 Name	機種名 Model	特注No. S.P.No.
M. Yoshida	S. Kidom	M. Yoshida	W. Nakao	FA001	#WH(B)-120A	FA001
23.Oct.'02/19.Feb.'08/20.Feb.'08/20.Feb.'08				寸法 Dimensions	図番 Drawing No.	訂正履歴 Revisions
三角法 3rd Angle P.				単位 Unit	尺度 Scale	1:2
株式会社 PATLITE Corporation				図番 Drawing No.	WH-FA001-A18A-2/2	