

WH-A/WK-A

Revolving Warning Light



Bulb

90dB at 1m
(WHB-A type)

Electronic Sound 1
(WHB-A type)

∅100

IP54
(WHB: IP23)



WH-A



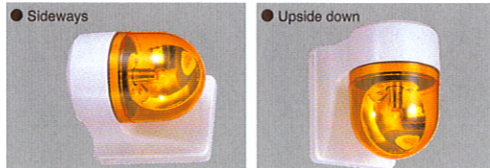
WK-A



Easy to attach to an electrical box and the terminal block allows easy wiring.



Installation in various directions is available for indoor use.



When installing the WHB, please keep it's buzzer outlet faced downward.

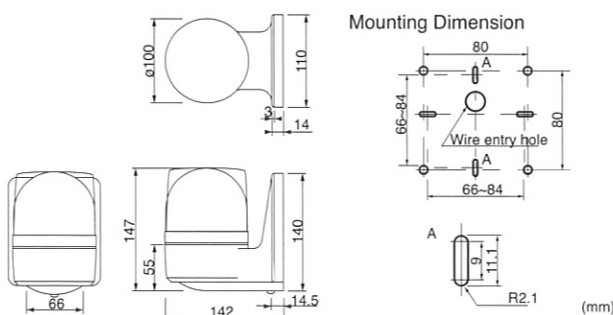
Wall-mount Revolving Warning Light featuring easy wiring with terminal block.

- Built-in Alarm: Audible sound volume up to 90dB at 1m, synchronized with light.
- Extended Bulb Life: Vibration-resistant automobile bulb.
- Installation*: Indoors, Outdoors—upright, inverted, sideways.
- Terminal Block: For easy wiring.
- Main Body: Impact and heat resistant ABS resin.
- Dome: Superior impact and heat resistant polycarbonate resin.
- Compact Motor: Higher durability and energy-efficient.
- CE Compliant: For 24V DC type only.
- Available Colors: Red, Amber, Green, Blue.
- * WHB type: upright only (outdoors).

Available by Special Order

- Silver Color Body. •IP65.

Dimensions



WH-A/WK-A Type

Model	Rated Voltage	Current	Rotations per Minute	Bulb	No.	Mass
WH-12A/WK-12A	12V DC	1A	170	12V10W	9	0.55kg
WH-24A/WK-24A	24V DC	0.5A		24V10W	10	0.55kg
WH-100A/WK-100A	100V AC	0.07A		12V5W	12	0.75kg
WH-120A/WK-120A	120V AC	0.08A				
WH-200A/WK-200A	200V AC	0.04A		24V10W	10	0.55kg
WH-240A/WK-240A	240V AC	0.04A				
WHB-24A/WKB-24A	24V DC	0.5A		12V5W	12	0.75kg
WHB-100A/WKB-100A	100V AC	0.07A				
WHB-120A/WKB-120A	120V AC	0.07A				
WHB-200A/WKB-200A	200V AC	0.04A				

Bulb...G18 BA15S