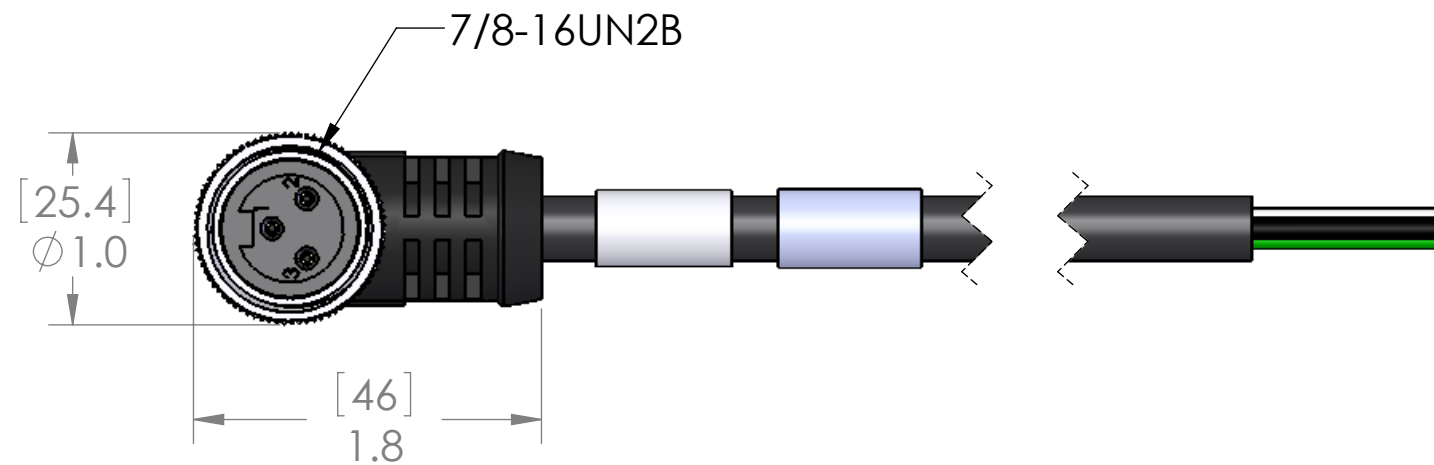
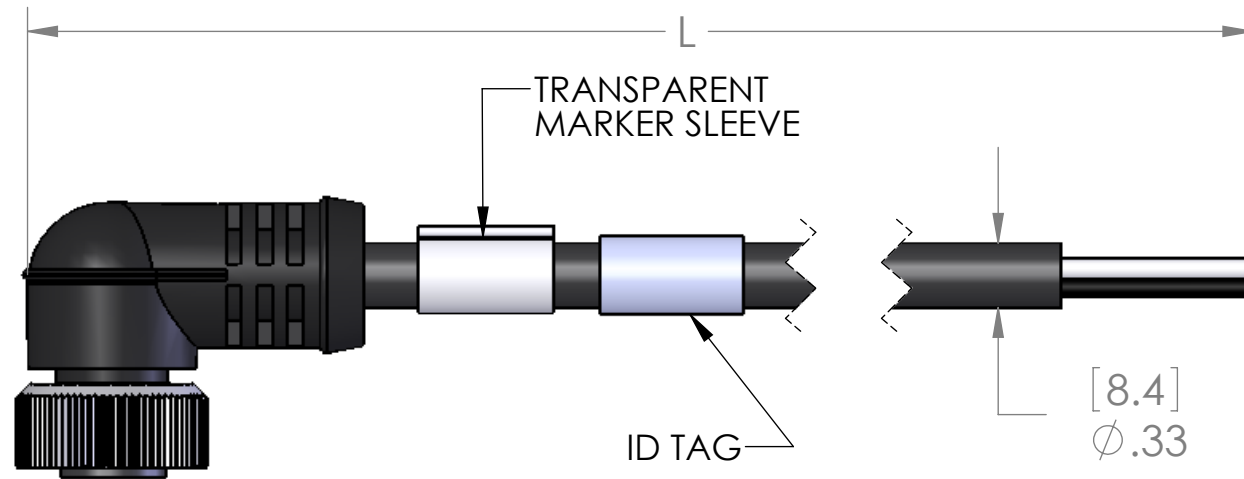


PIN #	COLOR
1	GREEN / YELLOW
2	BLACK
3	WHITE

REVISIONS			
REV.	DESCRIPTION	DATE	APPROVED
A	REDRAWN IN SW	3/8/2016	JJH



P/N	L	STD?
MIN-3FPX-3-R-B-SB50	36" [0.9m]	YES
MIN-3FPX-6-R-B-SB50	72" [1.8m]	YES
MIN-3FPX-12-R-B-SB50	144" [3.6m]	YES
MIN-3FPX-15-R-B-SB50	180" [4.6m]	NO
MIN-3FPX-20-R-B-SB50	240" [6.1m]	YES
MIN-3FPX-30-R-B-SB50	360" [9.1m]	YES
MIN-3FPX-50-R-B-SB50	600" [15.2m]	NO

PARTS LISTED AS NOT BEING STANDARD
MAY HAVE MINIMUM ORDER QUANTITIES

MATERIALS	
BODY:	BLACK PVC
CONTACTS:	GOLD PLATED COPPER ALLOY
CABLE:	BLACK 18/3 SJTOOW
COUPLING:	NICKEL PLATED BRASS

APPROVALS:	
US	UL LISTED
CANADA	C-UL LISTED

PROPRIETARY AND CONFIDENTIAL
THE INFORMATION CONTAINED IN THIS DRAWING IS THE SOLE PROPERTY OF MENCOM CORPORATION. ANY REPRODUCTION IN PART OR AS A WHOLE WITHOUT THE WRITTEN PERMISSION OF MENCOM CORPORATION IS PROHIBITED.

VOLTS	300V
AMPS	8A
TEMP	105°C

SPECIFICATIONS

UNLESS OTHERWISE SPECIFIED:	
DIMENSIONS ARE IN INCHES AND [MM]	
MATERIAL	
FINISH	
DO NOT SCALE DRAWING	

UNLESS OTHERWISE SPECIFIED:		NAME	MENCOM CORPORATION	
DRAWN	DWM	TITLE:		
CHECKED		SIZE	DWG. NO.	REV
ENG APPR.		B	MIN-3FPX-ZZ-R-B-SB50	A
MFG APPR.		SCALE: 1:1	WEIGHT:	SHEET 1 OF 1
Q.A.				
COMMENTS:				