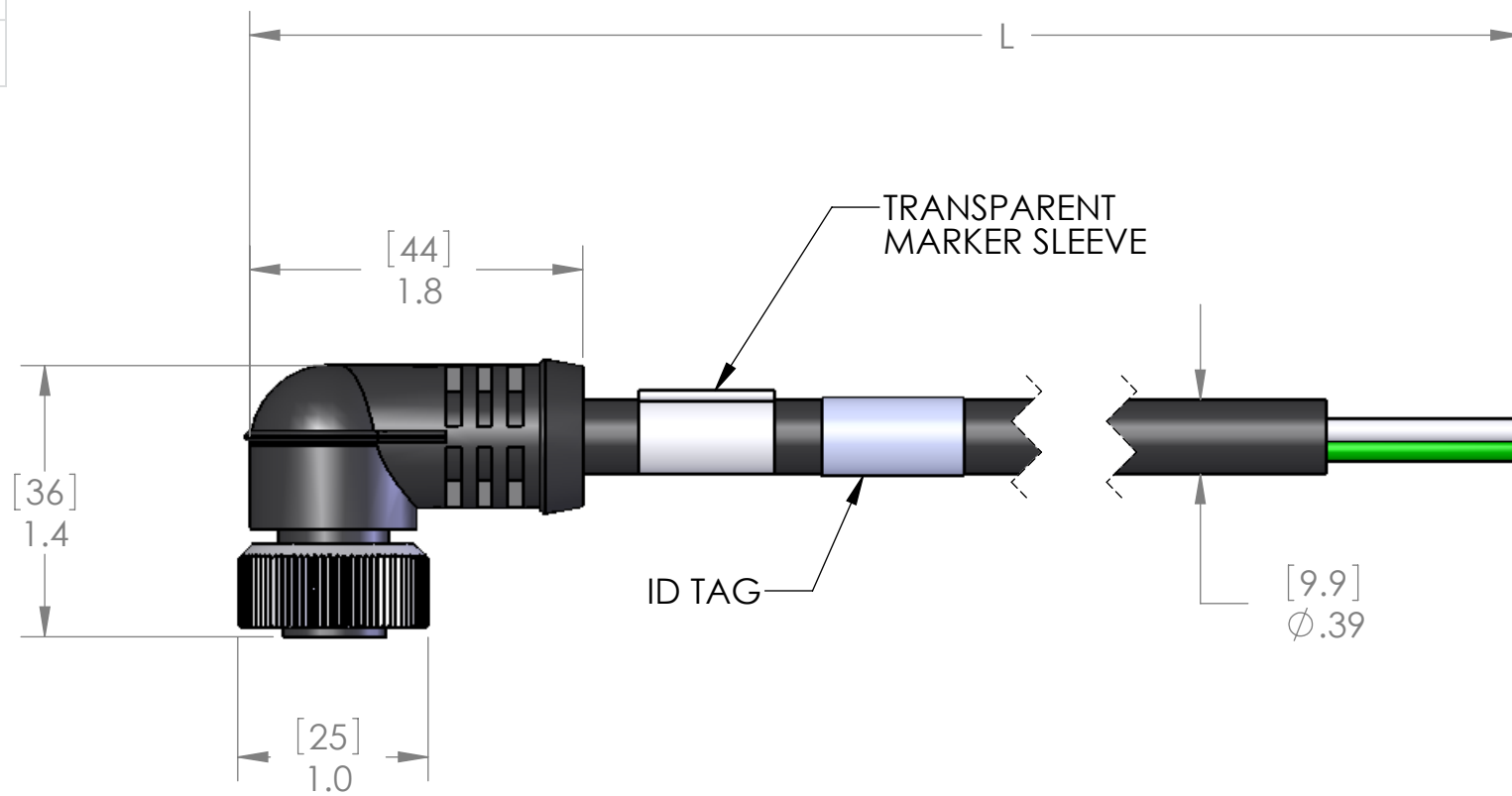
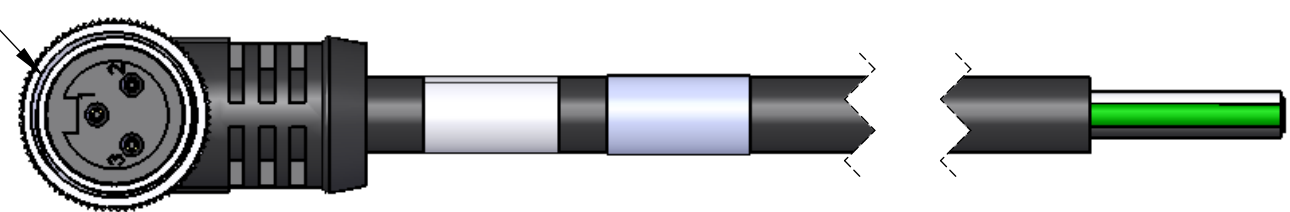


PIN #	COLOR
1	GREEN / YELLOW
2	BLACK
3	WHITE

REVISIONS			
REV.	DESCRIPTION	DATE	APPROVED
A	REDRAWN IN SW	3/8/2016	JJH



7/8-16UN2B
FEMALE
THREAD



P/N	L
MIN-3FP-3-R-B-SB50	36" [0.9m]
MIN-3FP-6-R-B-SB50	72" [1.8m]
MIN-3FP-12-R-B-SB50	144" [3.6m]
MIN-3FP-15-R-B-SB50	180" [4.6m]
MIN-3FP-20-R-B-SB50	240" [6.1m]
MIN-3FP-30-R-B-SB50	360" [9.1m]
MIN-3FP-50-R-B-SB50	600" [15.2m]

MATERIALS	
BODY:	BLACK PVC
CONTACTS:	GOLD PLATED COPPER ALLOY
CABLE:	16/3 STOW BLACK
COUPLING:	NICKEL PLATED BRASS

APPROVALS:	
US	UL LISTED
CANADA	C-UL LISTED

PROPRIETARY AND CONFIDENTIAL
THE INFORMATION CONTAINED IN THIS DRAWING IS THE SOLE PROPERTY OF MENCOM CORPORATION. ANY REPRODUCTION IN PART OR AS A WHOLE WITHOUT THE WRITTEN PERMISSION OF MENCOM CORPORATION IS PROHIBITED.

VOLTS	600V
AMPS	13A
TEMP	105C
SPECIFICATIONS	

UNLESS OTHERWISE SPECIFIED:
DIMENSIONS ARE IN INCHES AND [MM]
MATERIAL
FINISH
DO NOT SCALE DRAWING

	NAME	DATE
DRAWN	DWM	
CHECKED		
ENG APPR.		
MFG APPR.		
Q.A.		
COMMENTS:		

MENCOM CORPORATION		
TITLE:		
SIZE	DWG. NO.	REV
B	MIN-3FP-ZZ-R-B-SB50	A
SCALE: 1:1	WEIGHT:	SHEET 1 OF 1