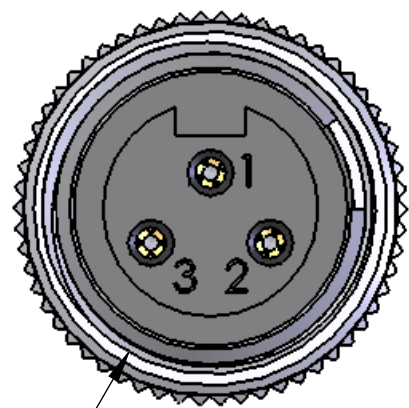
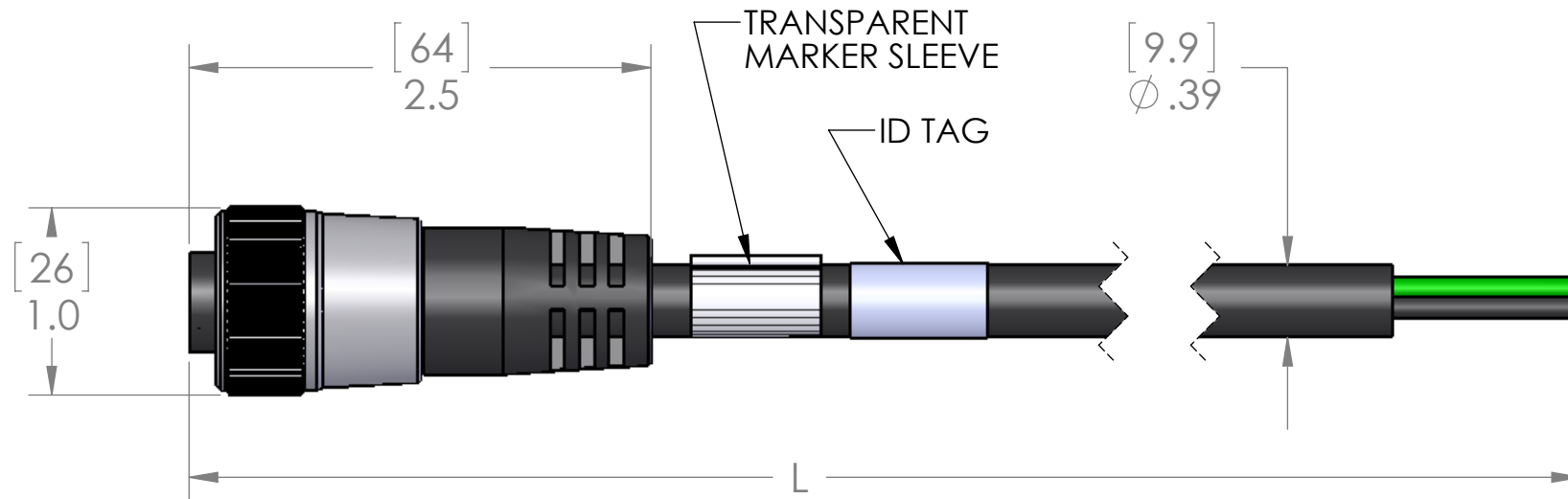


PIN #	COLOR
1	GREEN / YELLOW
2	BLACK
3	WHITE

REVISIONS			
REV.	DESCRIPTION	DATE	APPROVED
A	REDRAWN IN SW	3/8/2016	JJH



7/8-16 UN2B



P/N	L
MIN-3FP-3-B-SB50	36" [0.9m]
MIN-3FP-6-B-SB50	72" [1.8m]
MIN-3FP-12-B-SB50	144" [3.6m]
MIN-3FP-15-B-SB50	180" [4.6m]
MIN-3FP-20-B-SB50	240" [6.1m]
MIN-3FP-30-B-SB50	360" [9.1m]
MIN-3FP-40-B-SB50	480" [10.2m]
MIN-3FP-50-B-SB50	600" [15.2m]
MIN-3FP-60-B-SB50	720" [18.3m]
MIN-3FP-100-B-SB50	1200" [30.5m]

MATERIALS	
BODY:	BLACK PVC
CONTACTS:	GOLD PLATED COPPER ALLOY
CABLE:	16/3 STOOV BLACK PVC
COUPLING:	NICKEL PLATED BRASS
APPROVALS:	
US	UL LISTED
CANADA	C-UL LISTED

PROPRIETARY AND CONFIDENTIAL
 THE INFORMATION CONTAINED IN THIS DRAWING IS THE SOLE PROPERTY OF MENCOM CORPORATION. ANY REPRODUCTION IN PART OR AS A WHOLE WITHOUT THE WRITTEN PERMISSION OF MENCOM CORPORATION IS PROHIBITED.

VOLTS	600V
AMPS	13A
TEMP	105°C
SPECIFICATIONS	

UNLESS OTHERWISE SPECIFIED: DIMENSIONS ARE IN INCHES AND [MM]	NAME	MENCOM CORPORATION
	DRAWN	DWM
	CHECKED	
	ENG APPR.	
	MFG APPR.	
	Q.A.	
	COMMENTS:	
MATERIAL		
FINISH		
DO NOT SCALE DRAWING		

TITLE:		
3 PL FEM PLG, 16AWG		
SIZE	DWG. NO.	REV
B	MIN-3FP-ZZ-B-SB50	A
SCALE: 1:1	WEIGHT:	SHEET 1 OF 1