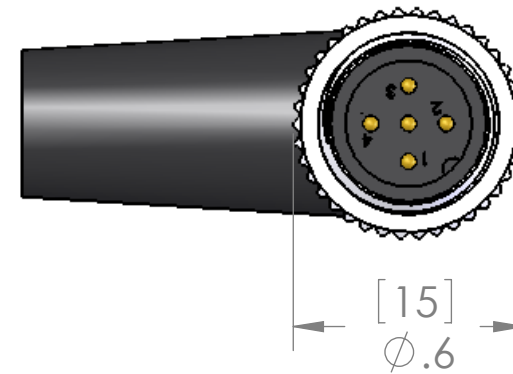
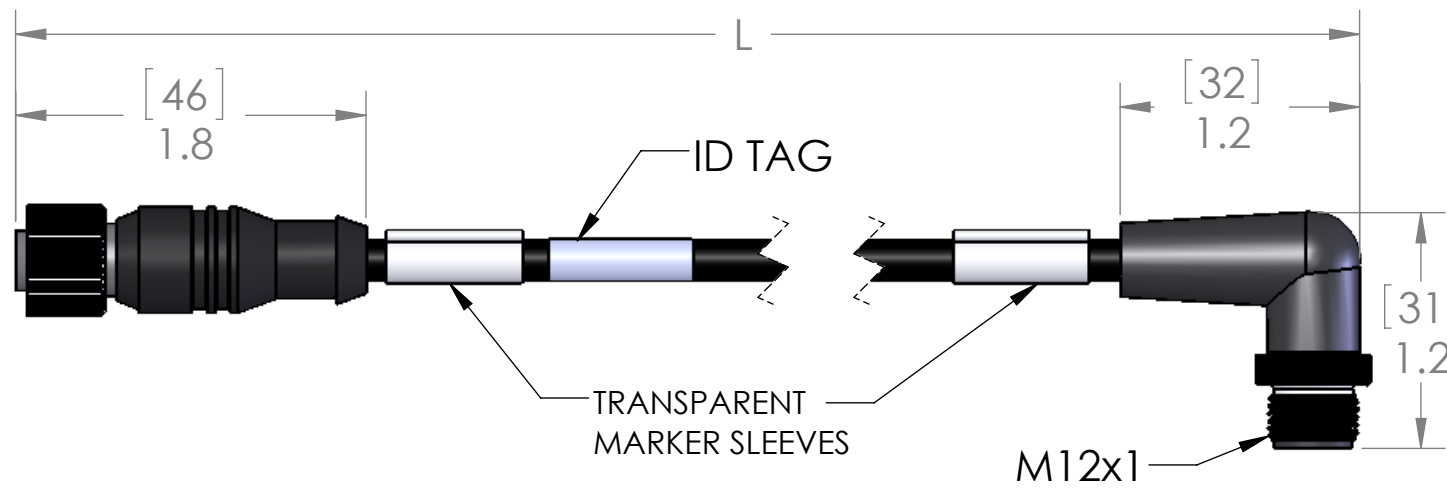
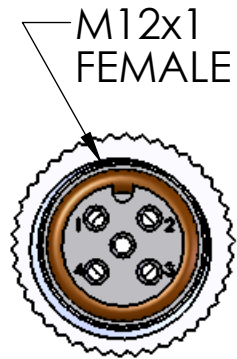


WIRING		
MALE		FEMALE
PIN #		PIN #
1	-----	1
2	-----	2
3	-----	3
4	-----	4
5	-----	5

REVISIONS			
REV.	DESCRIPTION	DATE	APPROVED
A	DRAWN IN SW	3/8/2016	JJH



P/N	L
MDCWF-5MRFP-0.3M-B-SB50	12" [0.3m]
MDCWF-5MRFP-1M-B-SB50	40" [1m]
MDCWF-5MRFP-2M-B-SB50	79" [2m]
MDCWF-5MRFP-3M-B-SB50	118" [3m]
MDCWF-5MRFP-4M-B-SB50	157" [4m]
MDCWF-5MRFP-5M-B-SB50	197" [5m]
MDCWF-5MRFP-10M-B-SB50	393" [10m]
MDCWF-5MRFP-15M-B-SB50	591" [15m]
MDCWF-5MRFP-20M-B-SB50	787" [20m]
MDCWF-5MRFP-30M-B-SB50	1181" [30m]

MATERIALS	
BODY:	BLACK TPE
CONTACTS:	GOLD PLATED COPPER ALLOY
CABLE:	22/5 CONTINUOUS FLEX BLACK TPE JACKET. 20MM FLEXES, MAX BEND RADIUS IS 10x CABLE O.D.
COUPLING:	NICKEL PLATED BRASS
INSERT:	POLYAMIDE
O-RING:	FPM

APPROVALS:	
US	UL LISTED
CANADA	C-UL LISTED

PROPRIETARY AND CONFIDENTIAL
 THE INFORMATION CONTAINED IN THIS DRAWING IS THE SOLE PROPERTY OF MENCOM CORPORATION. ANY REPRODUCTION IN PART OR AS A WHOLE WITHOUT THE WRITTEN PERMISSION OF MENCOM CORPORATION IS PROHIBITED.

VOLTS	300V
AMPS	4A
TEMP	105°C

SPECIFICATIONS

UNLESS OTHERWISE SPECIFIED:	
DIMENSIONS ARE IN INCHES AND [MM]	
MATERIAL	
FINISH	
DO NOT SCALE DRAWING	

NAME	
DRAWN	BEM
CHECKED	
ENG APPR.	
MFG APPR.	
Q.A.	
COMMENTS:	

MENCOM CORPORATION		
TITLE: 5 PL HI FLEX MDC M-F EXT MAL R/A		
SIZE	DWG. NO.	REV
B	MDCWF-5MRFP-ZZ-B-SB50	A
SCALE: 1:1	WEIGHT:	SHEET 1 OF 1