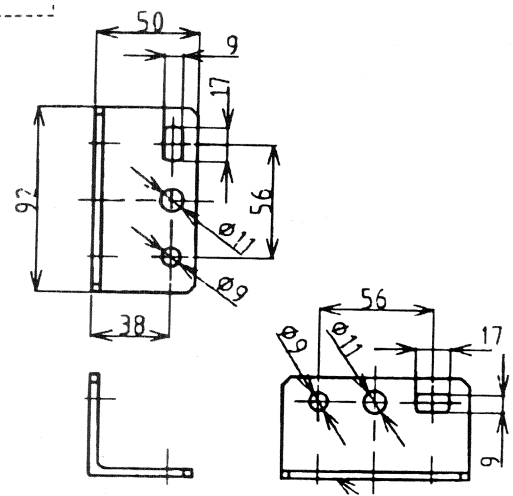
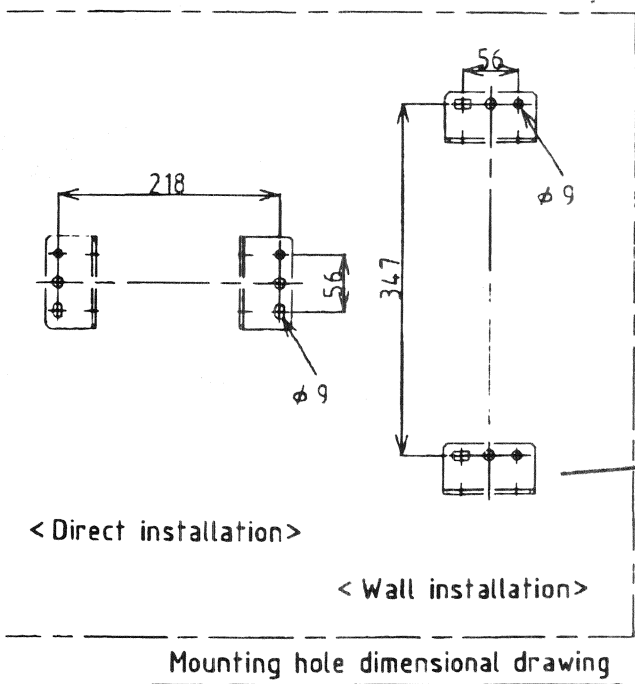
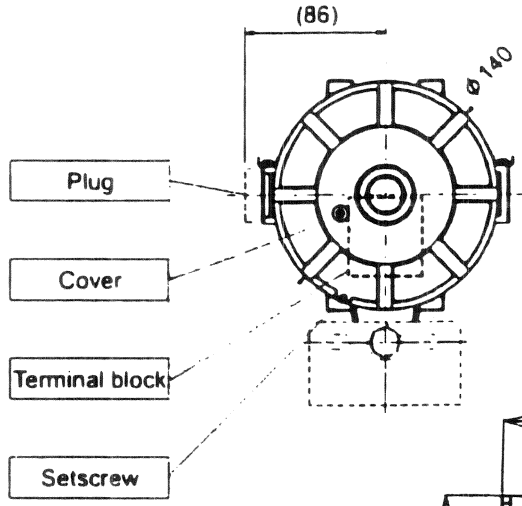
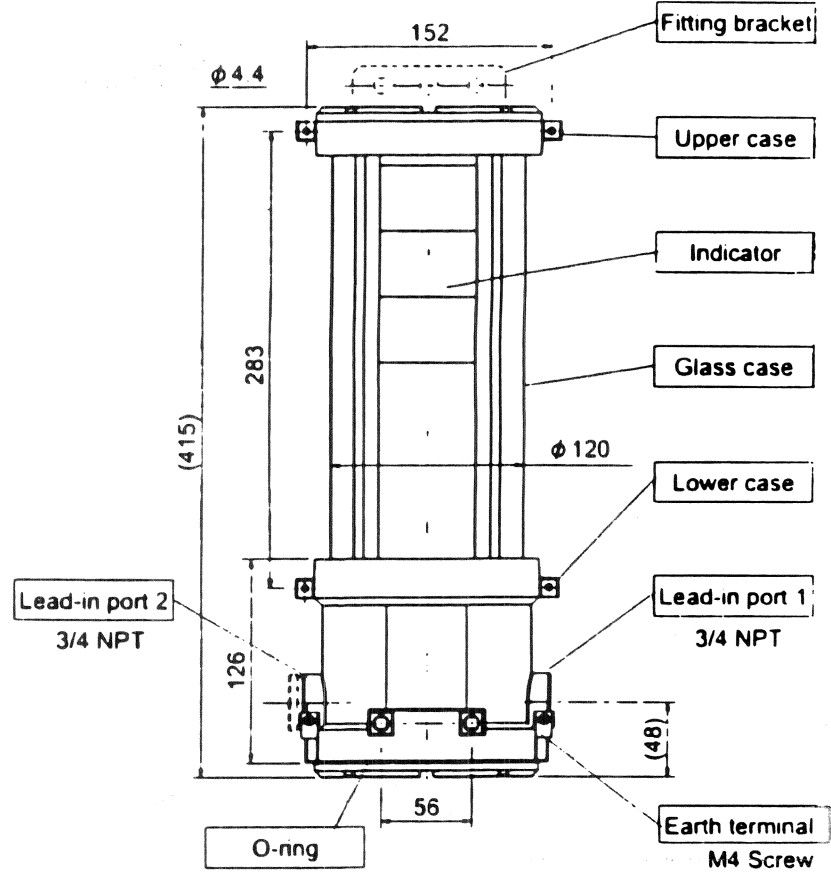
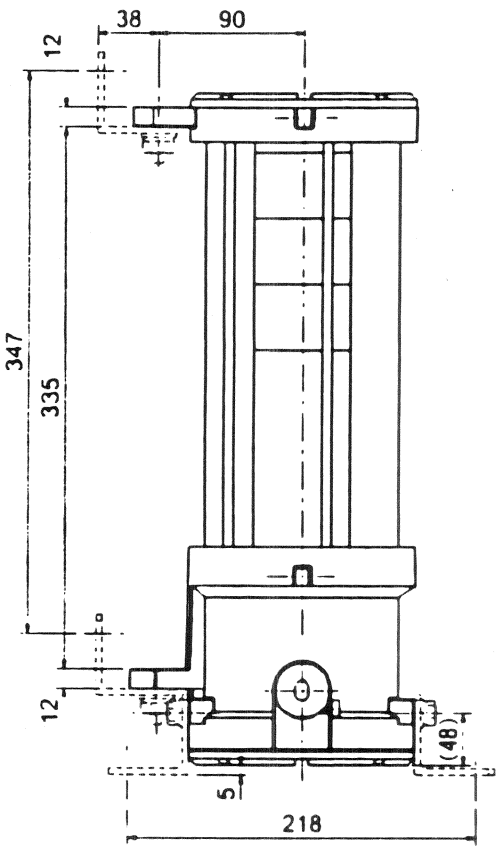


Mechanical Diagrams (Dimensions in mm)

EDLM



Mounting hole dimensional drawing