

MP3 compatible annunciator with LED Revolving Warning Light



24V Type

95dB at 1m

(Actual sound level may vary depending on sound type.)

IP54

(front direction only)

NPN Open Collector



RFV

The RFV series is a combination of LED rotating beacon light and MP3 programmable sound unit.

- Field programmable with SD card. (Sold separately)
Message capacity of up to 64 seconds (64kbit/s) can be played back by a bit input (4 channels) or binary input (15 channels).
- Volume is adjustable from 0 to 95dB (at 1m) to fit various environments.
- Safe for use at high vibration environments with robust 4.5G vibration resistant design.
- CE, RoHS, IP54, (UL, c-UL pending)
- Unique features
 1. Reduced maintenance with long service-life power LED that lasts over 5 years with 24/7 continuous operation.
 2. High visibility with Special Optical Reflector.
 3. Special gear driven mechanism provides reliable operation even after 10 years of no operation.
 4. Tight Locking Dome will stay on even in high vibration situations.

Available by Special Order

- PNP open collector transistor type.

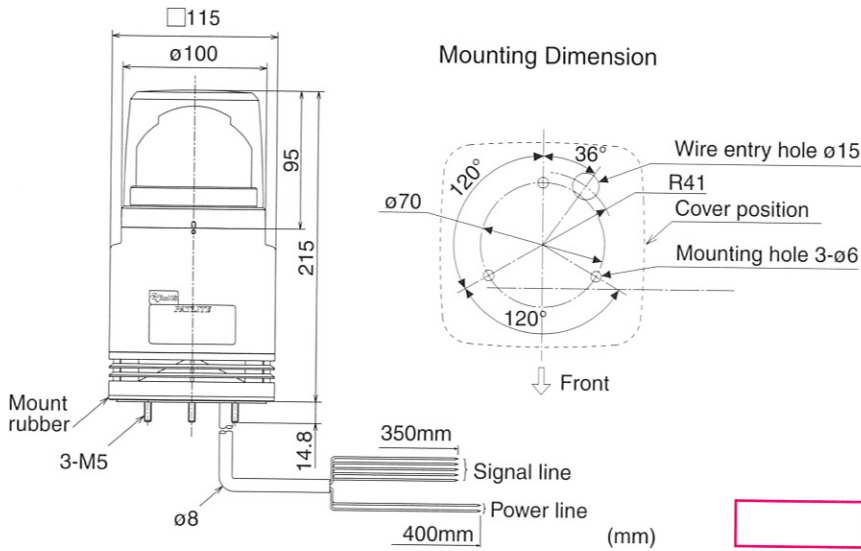
Voice message is field recordable with SD card (sold separately), and sound volume also can be changed easily from side panel even after installation.



Sound reduction function reduces the sound volume by approx. 15dB (at 1m). This function is ideal for use at night time together with timer or sensor.



Dimensions



How to Order

RFV-100F-R

Rated Voltage
 24: 24V DC
 100: 100V AC
 220: 220V AC

Color
 R: Red
 Y: Amber

Note: See page 177 for wiring diagram

RFV Type

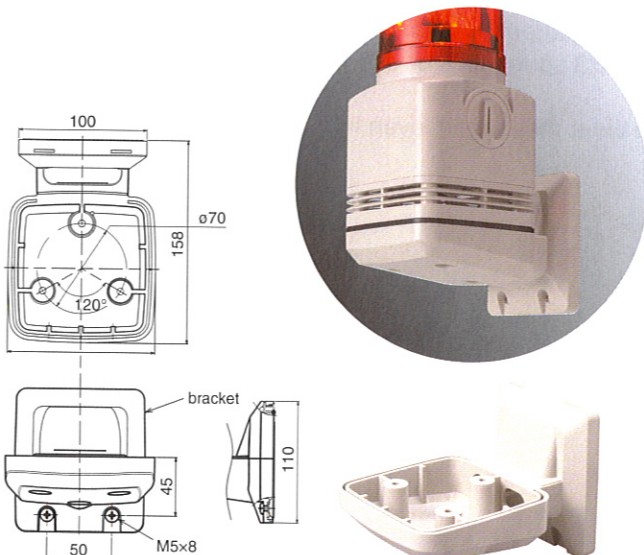
Model	Rated Voltage	Voltage Range	Power Consumption	Flashes per Minute	Volume	Audio File Type	Operating Temperature Range	Message Time	Channel	Protection Rating	Mass
RFV-24F	24V DC	24V DC±10%	Max. 18W	115±15	Max. 95dB at 1m [≠]	MPEG1-Audio Layer III (mp3) bitrate: 64kbit/s, Fs=44.1kHz	-10°C~+50°C (Humidity 85% or less)	Max. 64 seconds	4 (bit input) or 15 (binary input)	IP54 (when flush mount, front direction only)	1.0kg
RFV-100F	100V AC	100V AC±10%	Max. 16W								1.2kg
RFV-220F	220V AC	220V AC±10%									

Actual sound level will depend on sound type and operating conditions.

※ The play back sound may not be synchronized in case the multiple units are activated simultaneously.

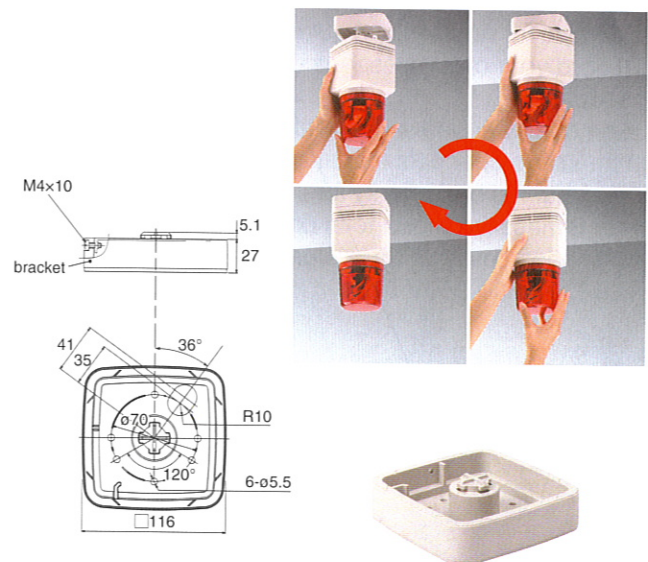
Optional Bracket

Wall Mount Style



RF-001 : Wall Mount Bracket

Ceiling Mount Style



RF-002 : Ceiling Mount Bracket