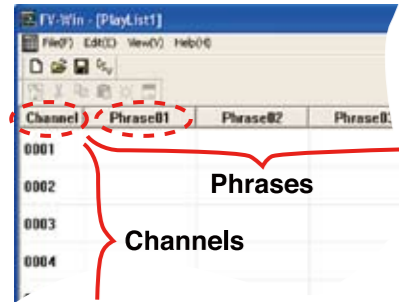


Playlist Editor

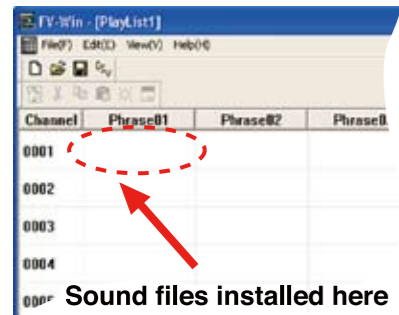
Easy to use software to create playlists to be used with any of Patlite's MP3 capable products.

- Playlist Editor software will be downloadable from Patlite's website, www.patlite.com
- Playlist Editor Software is compatible with Windows® XP and Windows® Vista.



Playlist Editor Overview

1. Playlist Editor software is divided into Phrases and Channels.
2. The Channels correspond to the number of Channels on the unit to be programmed.
3. Phrases are the sound(s) to be programmed into a particular Channel.
4. Sound files are copied on to the Playlist Editor and saved.



Creating the Playlist

1. Start Playlist Editor Software
2. Insert Sound files in appropriate Channel & Phrase.
3. Save file as "playlist.slp" after all sound files are inserted.
4. This completes the playlist and is ready to be used to program the unit.

*Windows is a registered trademark of Microsoft Corporation in the United States and other countries.

SDV-128P (SD Card 128MB)



The SD card does not come with any pre-installed data. Data must be added (MP3 files & Playlist) at user's expense. Please note that not all commercially available SD cards will be compatible with Patlite products that use SD cards.

*Patlite is a member of the SD Card Association.

PATLITE Corporation

8-8, Matsuyamachi, Chuo-ku, Osaka, Japan 542-0067 TEL.+81-6-6763-8220 FAX.+81-6-6763-8221

PATLITE (U.S.A.) Corporation
20130 S. Western Ave., Torrance, CA 90501, U.S.A. TEL.+1-310-328-3222 FAX.+1-310-328-2676

PATLITE Corporation/European Office
Teinfalt strasse 8/4.Stock 1010 Vienna, Austria TEL.+43-1-961-0655 FAX.+43-1-961-0655-210

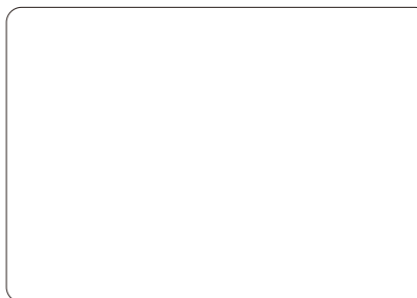
PATLITE (SINGAPORE) PTE LTD
No.2 Leng Kee Road,#05-01 Thye Hong Centre,Singapore 159086 TEL.+65-6226-1111 FAX.+65-6324-1411

PATLITE (CHINA) Corporation
Block E, No.9 FL, Hua Du Bldg., No.828-838 Zhang Yang Road, Pudong Dist., Shanghai 200122 China TEL.+86-21-68761533 FAX.+86-21-68769688

ISO14001/ISO9001 Certified



Headquaters/Sanda Plant/Techno Center



1212A 08105(5)/5(KA)A



To ensure correct use of these products, read the Instruction Manual prior to use. Failure to follow all safeguards can result in fire, electric shock, or other accidents. Specifications are subject to change without notice.

<http://www.patlite.co.jp/int/> E-mail: overseas@patlite.co.jp



For the benefit of mankind and the earth, Patlite is committed to developing environmentally friendly products.



PATLITE®

New Frontiers for Safety, Security and Comfort.

MP3 Support Field Programmable Voice Announciators

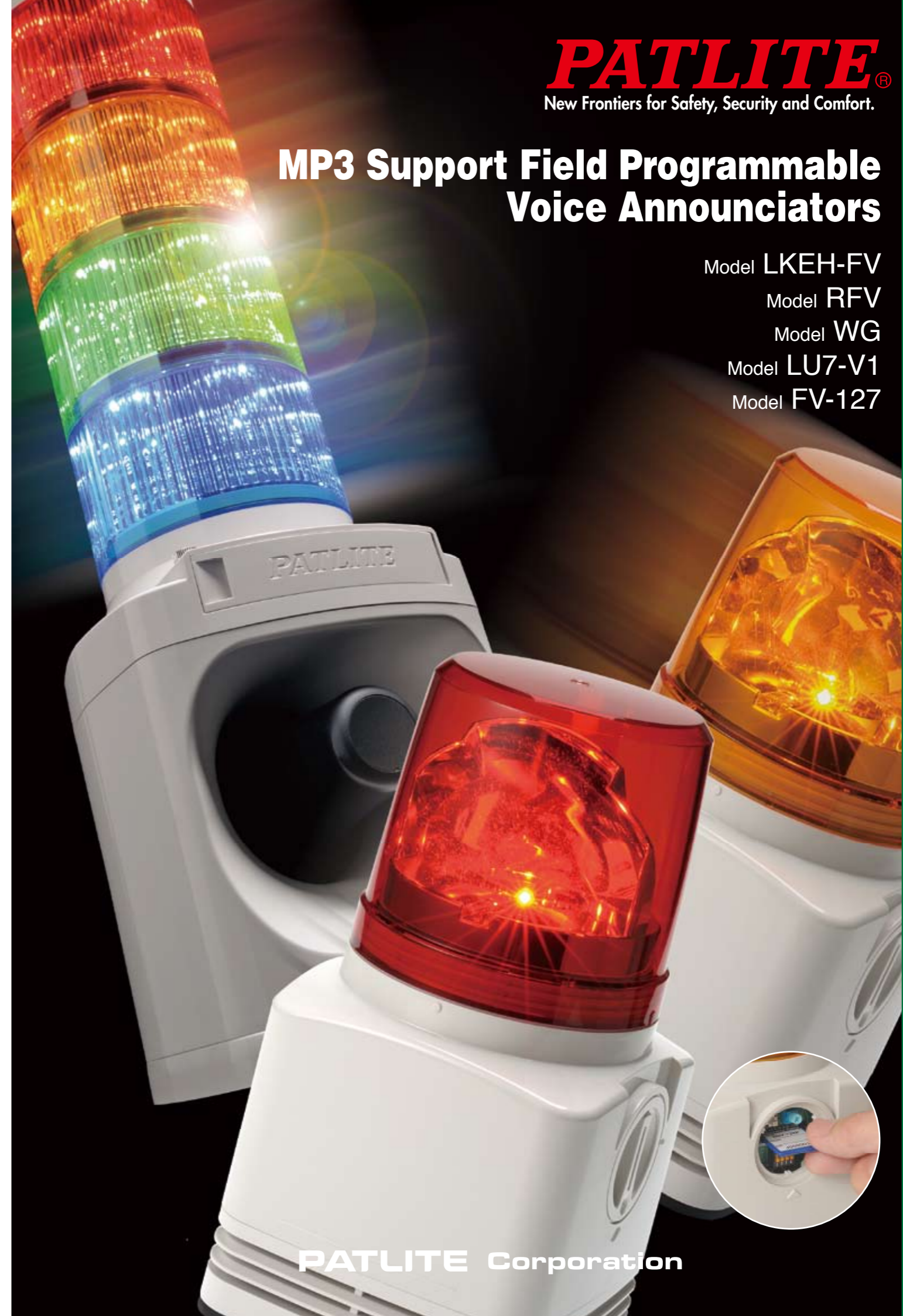
Model LKEH-FV

Model RFV

Model WG

Model LU7-V1

Model FV-127



PATLITE Corporation

www.patlite.co.jp/int/

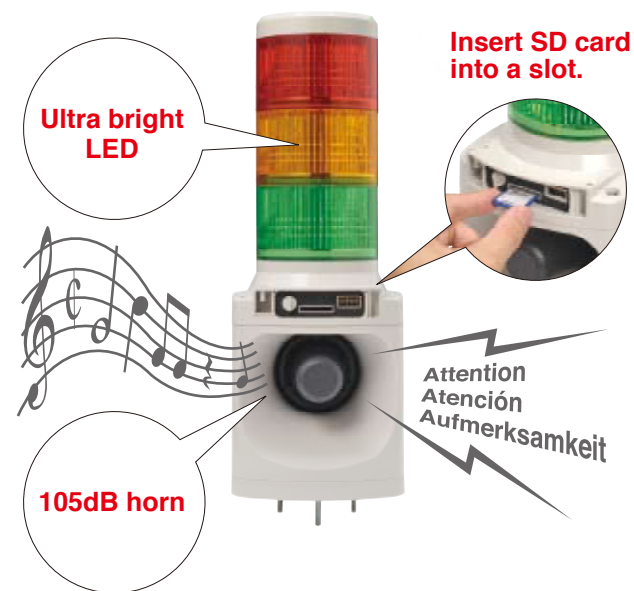
Model LKEH

MP3 compatible annunciator with LED Signaling Lights



※ Actual sound level may vary depending on sound type.

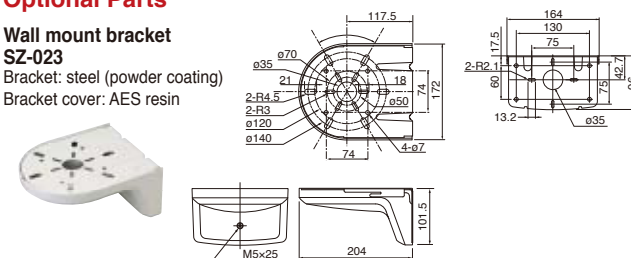
Get the attention you need with Patlite's Field Programmable LKEH series light tower/audible alarm hybrid units.



- See from great distances with our Ultra bright LED and 100mm diameter lens.
- Safe for high vibration environments with robust 2G vibration resistance design.
- Easy to control with only one common wire for both LEDs and audible signals.
- CE, RoHS, IP53, (UL, c-UL pending).
- Field programmable with SD card
Message capacity is up to 64 seconds (64kbit/s) with 4 channels.
- Adjust the volume from 0dB (at 1m) to 105dB (at 1m) to fit various environments.
- Smooth LED lens surface.

Optional Parts

Wall mount bracket SZ-023
Bracket: steel (powder coating)
Bracket cover: AES resin



Voice Synthesizer (LKEH-FV)

Message capacity is up to 64 seconds (64kbit/s) with 4 channels.

32 sounds are pre-recorded in one unit (LKEH-FA/FC/FD/FE)

32 sounds are pre-recorded in one unit. 4 sound types are available.

Type A

Beep (slow intermittent horn)	Stutter (rapid intermittent horn)	Bell (clear highpitched bell)	Yelp (rapid siren)
Rapid Hi-Lo	Melody Chime	Synthesized Piano	Synthesized Bell
Stutter (rapid intermittent horn)	Synthesized Melody Chime	Chime	Call sign
Bell (clear highpitched bell)		Minuet	Annie Laurie
Fur Elise	Maiden's Prayer	Mary Had a Little Lamb	Camptown Races
London Bridge is Falling Down	Holdiridia	On the Bridge of Avignon	Daydream Believer
Kuck kuck	Der Schmied im Walde	Itsy Bitsy Spider	Ich bin ein Musikante
Amarylilis	Mozart Symphony No. 40	Grandfather's Clock	Ave Maria
Jeux Interdits	Katuscha		

Type D

Beep (slow intermittent horn)	Stutter (rapid intermittent horn)	Bell (clear highpitched bell)	Yelp (rapid siren)
Rapid Hi-Lo	Melody Chime	Synthesized Melody Chime	Synthesized Bell
Runner	Mamotte Agetai	Chime	Call sign
Oribiao Kikinagara	A September	Doyubino Kolbito	Akino Kehai
Saalu Tengoku Sukii Tengoku	Iro Howaitoburendo	Happy Birthday	Hi Ho
I've been working on the Railroad	Bear Song	Toys Go Cha Cha Cha	Konnako Irukana
Wiegenlied	Rudolph the Red-nosed Reindeer	She Wore a Yellow Ribbon	Oh My Darling Clementine
Yellow Rose of Texas	Yankee Doodle	When the Saints Go Marching In	Londonderry Air

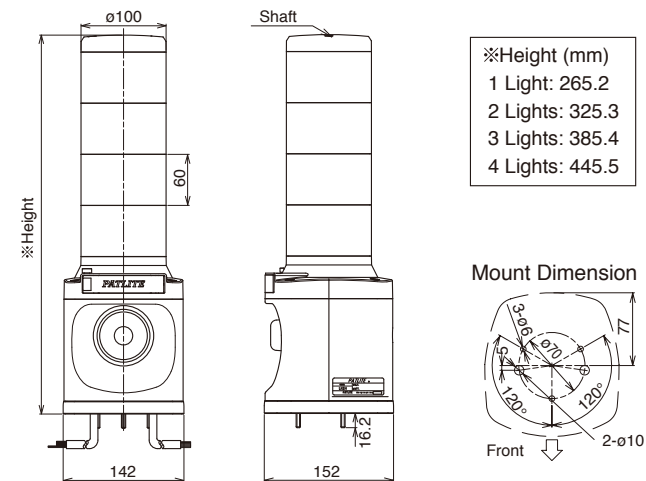
Type C

Beep (slow intermittent horn)	Stutter (rapid intermittent horn)	Bell (clear highpitched bell)	Yelp (rapid siren)
Rapid Hi-Lo	Melody Chime	Synthesized Piano	Synthesized Bell
Stutter (rapid intermittent horn)	Synthesized Melody Chime	Chime	Call sign
Bell (clear highpitched bell)		Canon	Rara Sanshain
Can't Take My Eyes off of You	Top of the World	The Entertainer	Amazing Grace
Amairono Kamino Otome	Les Champs-Elysees	Canon	Rara Sanshain
Uchuusenikan Yamato	Oshiete	Makenaide	Gonna Fly Now (Theme for "Rocky")
I Don't Want to Miss a Thing	Yozorano Mukou	Aiwa Katsu	Haruyo Koi
Gattsudaze	Odoru Ponpokorin	Imasugu Kisu Mi	Truth

Type E

Beep (slow intermittent horn)	Stutter (rapid intermittent horn)	Inverted Recelle	Annie Laurie
Stutter (rapid intermittent horn)	Synthesized Melody Chime	Galactic Motor	London Bridge is Falling Down
Bell (clear highpitched bell)	Chime	Ringling Phone	Mary Had a Little Lamb
Yelp (rapid siren)	Call Sign	Two Tone	Camptown Races
Rapid Hi-Lo	Train Ride	Alarm Clock	Amarylilis
Melody Chime	Galloping Hi-Lo	Ringling Hi-Lo	Mozart Symphony No.40
Synthesized Piano	Alien Chatter	Fur Elise	Ave Maria
Synthesized Bell	Falling Crystals	Minuet in G	Grandfather's Clock

Dimensions (mm)



How to order

LKEH-402FV-RYGB

Model: LKEH-402FV, Stack: 402, Rated Voltage: 24V DC, Type: FV, Color: RYGB

Color: R: Red, Y: Amber, G: Green, B: Blue, Top to bottom

Type: FV: Voice Synthesizer, FA, FC, FD, FE: 32 sounds

LKEH-FV type

60 flashes per minute						
	Model	Rated Voltage	Number of stacks	Power Consumption	Voltage Range	Mass
Voice Type	LKEH-102FV	24V DC	1	14W	24V DC±10%	1.8kg
	LKEH-202FV		2	16W		2.0kg
	LKEH-302FV		3	18W		2.2kg
	LKEH-402FV		4	20W		2.4kg
	LKEH-110FV	100V AC	1	17W	100V AC±10%	2.5kg
	LKEH-210FV		2	20W		2.7kg
	LKEH-310FV		3	23W		2.9kg
	LKEH-410FV		4	26W		3.1kg
	LKEH-120FV	220V AC	1	17W	220V AC±10%	2.5kg
	LKEH-220FV		2	20W		2.7kg
	LKEH-320FV		3	23W		2.9kg
	LKEH-420FV		4	26W		3.1kg

LKEH-F□ type

60 flashes per minute						
	Model	Rated Voltage	Number of stacks	Power Consumption	Voltage Range	Mass
Sound Type	LKEH-102FA/FC/FD/FE	24V DC	1	10.6W	24V DC±10%	1.8kg
	LKEH-202FA/FC/FD/FE		2	12.4W		2.0kg
	LKEH-302FA/FC/FD/FE		3	14.2W		2.2kg
	LKEH-402FA/FC/FD/FE		4	16W		2.4kg
	LKEH-110FA/FC/FD/FE	100V AC	1	17W	100V AC±10%	2.5kg
	LKEH-210FA/FC/FD/FE		2	20W		2.7kg
	LKEH-310FA/FC/FD/FE		3	23W		2.9kg
	LKEH-410FA/FC/FD/FE		4	26W		3.1kg
	LKEH-120FA/FC/FD/FE	220V AC	1	17W	220V AC±10%	2.5kg
	LKEH-220FA/FC/FD/FE		2	20W		2.7kg
	LKEH-320FA/FC/FD/FE		3	23W		2.9kg
	LKEH-420FA/FC/FD/FE		4	26W		3.1kg

Model RFV

MP3 compatible annunciator with LED Signaling Lights



The RFV series is a combination LED rotating beacon with a 4 channels, MP3 programmable, sound unit.



Easily change sound files by opening the cover on the side, installing the SD card (sold separately) and tuning on the unit.

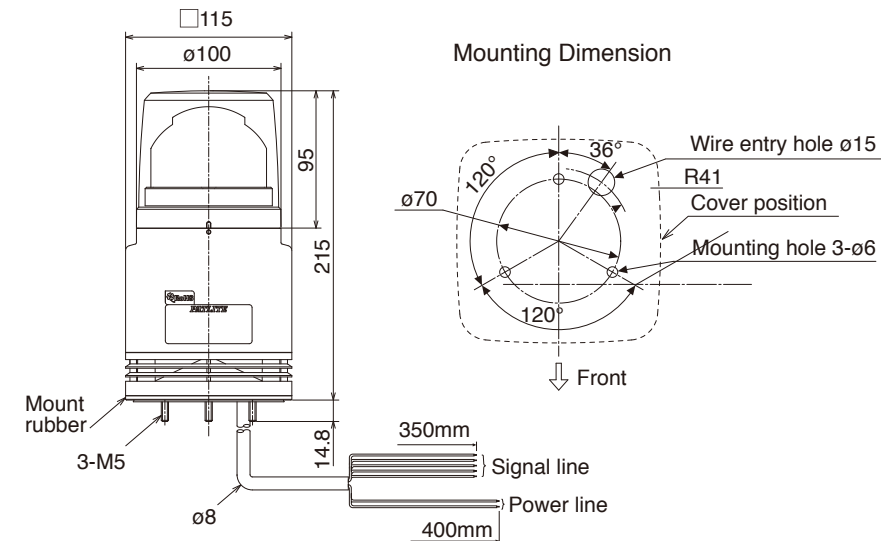


The Volume Reducing Function reduces the volume by about 15dB (at 1 m). This function can be more effectively used with a timer or sensor.



- Safe for high vibration environments with robust 4.5G vibration resistance design.
- Unique features
 1. Reduce maintenance and increase reliability with Patlite's Long-life LEDs that last over 5 years with 24/7 continuous operation.
 2. High visibility with Special Optical Reflector.
 3. Special Gear Drive Motor increases reliability because it will still operate even after 10 years of no operation.
 4. Tight Locking Dome will stay on even in high vibration situations.
- CE, RoHS, IP54, (UL, c-UL pending)
- Field programmable with SD card
Message capacity is up to 64 seconds (64kbit/s) with 4 channels.
- Adjust the volume from 0dB (at 1m) to 95dB (at 1m) to fit various environments.

Dimensions (mm)



How to order

RFV-100F-R

Rated Voltage
24: 24V DC
100: 100V AC
220: 220V AC

Color
R: Red
Y: Amber

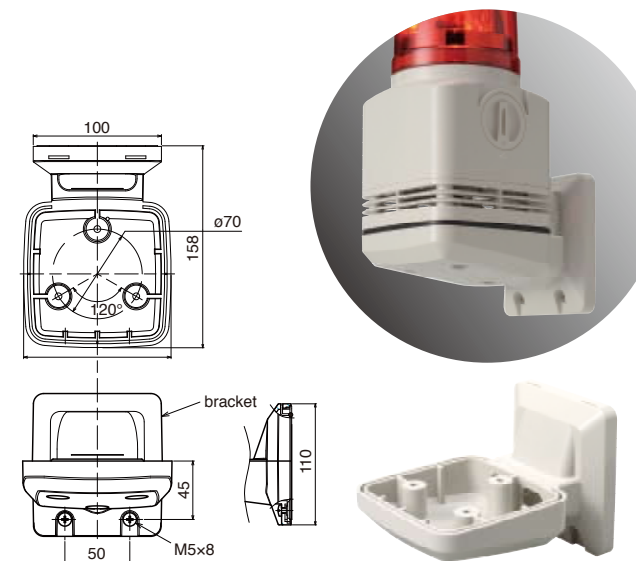
RFV type

Model	Rated Voltage	Voltage Range	Power Consumption	Flashes per Minute	Volume	Audio File Type	Operating Temperature Range	Message Time	Channel	Protection Rating	Mass
RFV-24F	24V DC	24V DC±10%	Max. 18W	115±15	Max. 95dB at 1m [※]	MPEG1-Audio Layer II (mp3) bitrate: 64kbit/s, Fs=44.1kHz	-10°C~+50°C (Humidity 85% or less)	Max. 64	4 bit or 15 Binary	IP54 (when flush mount, front direction only)	1.0kg
RFV-100F	100V AC	100V AC±10%	Max. 16W								1.2kg
RFV-220F	220V AC	220V AC±10%									

Actual sound level will depend on sound type and operating conditions.
※ It is very difficult to synchronize the play back of the same sound from different units.

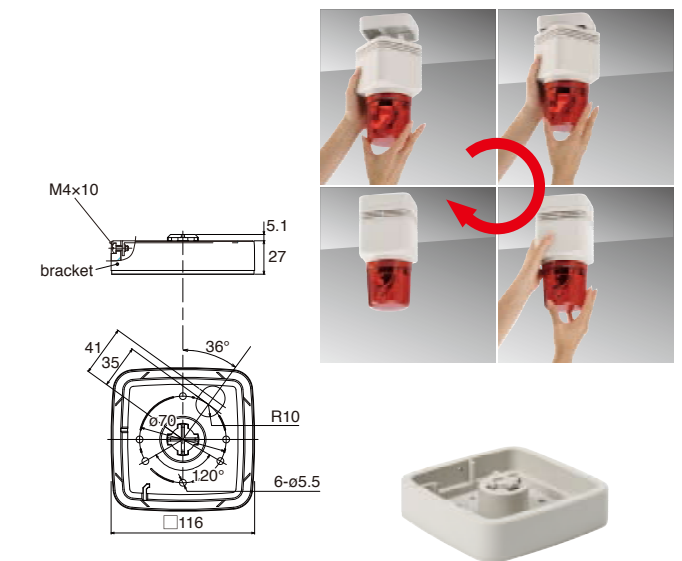
Mounting style

Side mount bracket on wall



Options
RF-001 : Side mount bracket

Hang from ceiling



Options
RF-002 : Ceiling bracket

Model WG

MP3 compatible annunciator with LED Signaling Lights



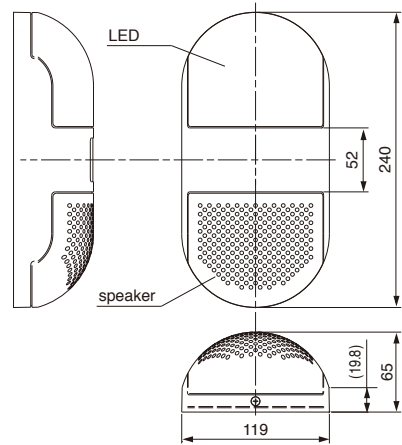
* Actual sound level may vary depending on sound type.

The WG series is wall mountable and will easily blend into any environment such as hospitals, airports and office buildings, providing audible messages and visual signal with LED.

- Colors available: red, yellow, green, blue and clear/white.
- Alert operators or the public with voice messages or chimes or any other sound and flashing LED light.
- Effective for audio/visual guidance at public facilities such as train platforms, bathrooms, etc.
- Record your own messages using Patlite's Playlist Editor, and MP3 sound files or use Patlite's custom recording services.
- High quality sound with a max. output of 90dB (at 1m) provide clear messages, even in a crowd.
- 3 message channels for various applications. One channel has priority for emergency/security purposes.
- Has 3 messages for a total of 32 seconds.
- NPN open collector transistor compatible
- 12V DC



Dimensions (mm)



How to order

WG-03 B T-R	
Model	Color
Msg Channels	R: Red
03=3	Y: Amber
	G: Green
	B: Blue
	C: Clear/White
Rated Voltage	Memory
B: 12V AC	T: 2Mbit
M2: 90-250V AC	

WG type

Model	WG-03BT	WG-03M2T
Rated Voltage	12V DC (No Polarity)	90-250V AC
Power Consumption: Standby	1Watt	1Watt
Power Consumption: Operation	6Watt Max	6Watt Max
Lens Colors Available	None, Red, Amber, Green, Blue	None, Red, Amber, Green, Blue
Operating Temperature Range	-10°C~+60°C	-10°C~+60°C
Volume	90dB at 1m (Adj. from zero)	90dB at 1m (Adj. from zero)
Message Memory Capacity	32 seconds @ 64kbits/sec	32 seconds @ 64kbits/sec
No. of Messages (Inputs)	3	3
Protection Rating	IP20	IP20
Illuminance	300lx at 50cm	300lx at 50cm
Mounting Direction	Horizontal, Vertical (Up or Down)	Horizontal, Vertical (Up or Down)
Vibration Resistance	19.6m/s ²	19.6m/s ²
Weight	600g	600g

Model LU7-V1

Voice and Sound Module (Innovative LED Modular Style Signal Tower)



Unique MP3 programmable Sound Module for the LU7 series modular signal tower.

- Adjust the volume from 0dB to 80dB (at 1m, alarm type) to suit various environments.
- High quality MP3 based sound module replays up to 4 alarms or messages with 32 seconds of total program time.
- Playback sound selected by the position of internal jumper pin.
- CE / UL compliant.
- Additional flexibility by creating unique sounds or messages for varied applications.

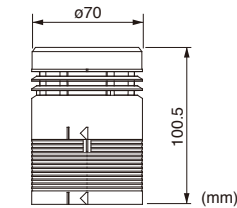


Stackable audible alarm

- Available for all LU7 base units.
- Easily mounted at the top of the light stack.

Selectable playback sound

- The jumper position determines the sound



Head cover is supplied with the base unit.

Model	Type	Rated Voltage	Power Consumption	Weight
LU7-V1	Voice Annunciator	24V DC	3.5W	0.17kg

Model FV-127

MP3 Voice Synthesizer



The FV-127 Voice Synthesizer is a Programmable Multi-Message Controller with maximum 240 minutes* of high quality sound, enhanced for voice and melody for composing original audible messages.

- Clear sound quality using MP3 technology.
- SD card makes it easy to add and change data.
- Built-in digital amplifier produces a total output of 4W.
- Easily align to easily sequence or easily synchronize.
- * Use of SD card only: 128MB (in case of bit rate 65kbit/s)

FV type

Model	FV-127J(Enclosed Unit)	FV-127JP(Circuit Board Only)
Rated Voltage	24V DC	
Input Voltage Range	19-24V DC	
Power Consumption: Operation	15 Watts	
Operating Temperature Range	-10°C~+50°C	
Relative Humidity	85% (No Condensation)	
Speaker Capacity	5 Watts 8 ohms (Volume adjustable from zero)	
Mounting Location	Indoors Only	
Vibration Resistance	45m/s ²	
Weight	0.00kg	160g±10%
Audio Format	MPEG1-Audio Layer II (MP3)	
No. of Messages	Direct Input Mode: Up to 7; Binary Input Mode: Up to 127	



Coming soon

How to order

FV-127JP	
Model	Nothing: Enclosed Unit
J: 24V DC	P: Circuit Board Only

Model BK

Audible Alarm



※ Actual sound level may vary depending on sound type.

The BK series has melody, chime and alarm capability, variable audible control, and a compact but loud speaker.



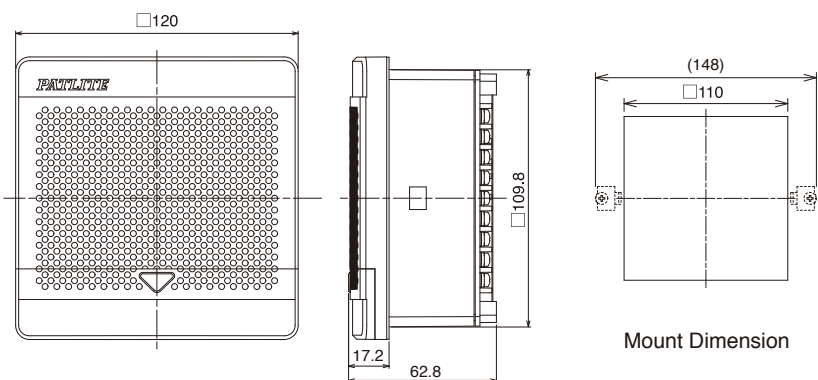
- Maximum output level of 95dB at 1m is suitable for use in a noisy factory.
- 32 sounds are pre-recorded in one unit which can be used for various applications.
- Volume output and sound groups can be selected by rotary switches stored behind the front panel for easy operation even after installation.
- Select one sound group from A to P to playback 8 pre-recorded sounds.
- A new sound group can be created from the 32 sounds by using an optional memory card (Sold separately).
- RoHS compliant.
- Use the I-O switch to check the operation or adjust sound volume.
- 8 channels (bit input), 32 channels (binary input)

Available by Special Order

- Binary input controlled 15 sound playback type (C0090).



Dimensions (mm)



How to order

BK-24A-J	
Model	Color
	J: Light Gray K: Dark Gray
Rated Voltage	Type of Sound
24: 12-24V DC 100: 100V AC 220: 220V AC	A: Type A C: Type C D: Type D E: Type E

Model BD

Audible Alarm



The BD series has a melody, chime and alarm capability, variable audible control, and a compact but loud speaker.



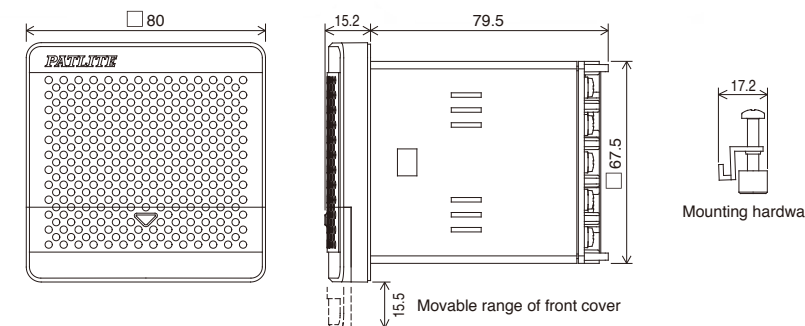
- Maximum output level of 90dB at 1m is suitable for use in a noisy factory.
- 32 sounds are pre-recorded in one unit which can be used for various applications.
- Sound output level and sound group can be selected by rotary switches stored behind the front panel for easier operation even after installation.
- Select one sound group from A to P to playback 4 pre-recorded sounds.
- A new sound group can be created from the 32 sounds by using an optional memory card (Sold separately).
- RoHS compliant.

Available by Special Order

- Binary input controlled 15 sound playback type (C0090).



Dimensions (mm)



How to order

BD-24A-J	
Model	Color
	J: Light Gray K: Dark Gray
Rated Voltage	Type of Sound
24: 12-24V DC 100: 100V/220V AC	A: Type A C: Type C D: Type D

BK type

Model	Rated Voltage	Voltage Range	Power Consumption	Volume	Operating Temperature Range	Channel	Protection Rating	Mass
BK-24	12-24V DC	10.8V~26.4V DC	12W	Max. 95dB at 1m*	-20°C~+50°C (Humidity 85% or less)	8 bit or 32 Binary	IP54 (when flush mount, front direction only)	350g±10%
BK-100	100 AC	100V AC±10%	10W					530g±10%
BK-220	220V AC	220V AC±10%	11W					530g±10%

*Actual sound level will depend on sound type and operating conditions.

BD type

Model	Rated Voltage	Voltage Range	Power Consumption	Volume	Operating Temperature Range	Input System	Channel	Protection Rating	Mass
BD-24	12-24V DC	10.8V~26.4V DC	4W	Max. 90dB at 1m*	-20°C~+55°C (Humidity 85% or less)	1 bit input	4	IP54 (when flush mount, front direction only)	205g±10%
BD-100	100/220V AC	100V AC±10% / 220V AC±10%	5W						325g±10%

*Actual sound level will depend on sound type and operating conditions.

32 sounds are pre-recorded in one unit

32 sounds are pre-recorded in one unit. 4 sound types are available.

BK-A/BD-A			
Beep (slow intermittent horn)	Stutter (rapid intermittent horn)	Bell (clear highpitched bell)	Yelp (rapid siren)
Rapid Hi-Lo	Melody Chime	Synthesized Piano	Synthesized Bell
Stutter (rapid intermittent horn)	Synthesized Melody Chime	Chime	Call sign
Bell (clear highpitched bell)	Fur Elise	Maiden's Prayer	Minuet
London Bridge is Falling Down	Holdiridia	Mary Had a Little Lamb	Campdown Races
Kuck kuck	Der Schmied im Walde	On the Bridge of Avignon	Daydream Believer
Amaryllis	Mozart Symphony No. 40	Itsy Bitsy Spider	Ich bin ein Musikante
Jeux Interdits	Katuscha	Grandfather's Clock	Ave Maria

BK-C/BD-C			
Beep (slow intermittent horn)	Stutter (rapid intermittent horn)	Bell (clear highpitched bell)	Yelp (rapid siren)
Rapid Hi-Lo	Melody Chime	Synthesized Piano	Synthesized Bell
Stutter (rapid intermittent horn)	Synthesized Melody Chime	Chime	Call sign
Bell (clear highpitched bell)	Can't Take My Eyes off of You	Top of the World	The Entertainer
Amalrono Kamino Otome	Les Champs-Elysees	Canon	Rara Sanshain
Uchuusenkan Yamato	Oshiete	Makenaide	Game Ry Now (Theme for "Body")
I Don't Want to Miss a Thing	Yozorano Mukou	Aiwa Katsu	Haruyo Koi
Gattsudaze	Odoru Pompokorin	Imasugu Kisuu Mi	Truth

BK-D/BD-D			
Beep (slow intermittent horn)	Stutter (rapid intermittent horn)	Bell (clear highpitched bell)	Yelp (rapid siren)
Rapid Hi-Lo	Melody Chime	Synthesized Piano	Synthesized Bell
Stutter (rapid intermittent horn)	Mamotte Agetai	Chime	Call sign
Bell (clear highpitched bell)	Oribiao Kikinagara	A September	Doyoubino Kobito
Saifu Tengoku Suki Tengoku	Iro Howaitoburendo	Happy Birthday	Hi Ho
Ye been working on the Railroad	Bear Song	Toys Go Cha Cha Cha	Konnako Irukana
Wiegentied	Rudolph the Red-nosed Reindeer	She Wore a Yellow Ribbon	Oh My Darling Clementine
Yellow Rose of Texas	Yankee Doodle	When the Saints Go Marching In	Londonderry Air

BK-E/BD-E			
Beep (slow intermittent horn)	Stutter (rapid intermittent horn)	Inverted Recelille	Annie Laurie
Stutter (rapid intermittent horn)	Synthesized Melody Chime	Galactic Motor	London Bridge is Falling Down
Bell (clear highpitched bell)	Chime	Ringling Phone	Mary Had a Little Lamb
Yelp (rapid siren)	Call Sign	Two Tone	Campdown Races
Rapid Hi-Lo	Train Ride	Alarm Clock	Amaryllis
Melody Chime	Galloping Hi-Lo	Ringling Hi-Lo	Mozart Symphony No. 40
Synthesized Piano	Alien Chatter	Fur Elise	Ave Maria
Synthesized Bell	Falling Crystals	Minuet in G	Grandfather's Clock



Model EWH/EWHS/EW

Signal Horn



*1.EW-TB: 103dB at 1m *2.EW-TB: 4 channels
*3.IP65 available by special order

Original wide horn featuring clear and high volume up to 105dB at 1m, designed for use in noisy environments.



- 32 sounds are pre-recorded in one unit (EWH/EWHS type).
- For enhanced durability and safety in the work environment.
- Built-in Alarm: Adjustable audible sound up to 105dB at 1m with volume control.
- Installation: Indoors—upright, inverted, sideways; Outdoors—upright only. (Do not install the horn facing upward).
- Easy Installation: With anticorrosive stainless steel mounting bracket.
- NPN Compatible: 24V type only (EWH series only).
- CE Compliant: 24V AC/DC only.
- Available: PNP as special order.



Available by Special Order

- PNP open collector type.

32 sounds are pre-recorded in one unit (EWH, EWHS)

32 sounds are pre-recorded in one unit. 4 sound types are available.



Type A

Beep (slow intermittent horn)	Stutter (rapid intermittent horn)	Bell (clear highpitched bell)	Yelp (rapid siren)
Rapid Hi-Lo	Melody Chime	Synthesized Piano	Synthesized Bell
Stutter (rapid intermittent horn) Bell (clear highpitched bell)	Synthesized Melody Chime	Chime	Call sign
Fur Elise	Maiden's Prayer	Minuet	Annie Laurie
London Bridge is Falling Down	Holdiridia	Mary Had a Little Lamb	Campdown Races
Kuck kuck	Der Schmied im Walde	On the Bridge of Avignon	Daydream Believer
Amaryllis	Mozart Symphony No. 40	Itsy Bitsy Spider	Ich bin ein Musikante
Jeux Interdits	Katuscha	Grandfather's Clock	Ave Maria

Type C

Beep (slow intermittent horn)	Stutter (rapid intermittent horn)	Bell (clear highpitched bell)	Yelp (rapid siren)
Rapid Hi-Lo	Melody Chime	Synthesized Piano	Synthesized Bell
Stutter (rapid intermittent horn) Bell (clear highpitched bell)	Synthesized Melody Chime	Chime	Call sign
Can't Take My Eyes off of You	Top of the World	The Entertainer	Amazing Grace
Amairono Kamino Otome	Les Champs-Elysees	Canon	Rara Sanshain
Uchusenrikan Yamato	Oshiete	Makenaide	Gonna Fly Now (Theme for "Rocky")
I Don't Want to Miss a Thing	Yozorano Mukou	Aiwa Katsu	Haruyo Koi
Gattsudaze	Odoru Ponpokorin	Imasugu Kisu Mi	Truth

Type D

Beep (slow intermittent horn)	Stutter (rapid intermittent horn)	Bell (clear highpitched bell)	Yelp (rapid siren)
Rapid Hi-Lo	Melody Chime	Synthesized Piano	Synthesized Bell
Runner	Mamotte Agetai	Chime	Call sign
Oribiao Kikinagara	A September	Doyoubino Koibito	Akino Kehai
Saafu Tengoku Sukui Tengoku	Iro Howaitoburendo	Happy Birthday	Hi Ho
I've been working on the Railroad	Bear Song	Toys Go Cha Cha Cha	Konnako Irukana
Wiegenlied	Rudolph the Red-nosed Reindeer	She Wore a Yellow Ribbon	Oh My Darling Clementine
Yellow Rose of Texas	Yankee Doodle	When the Saints Go Marching In	Londonderry Air

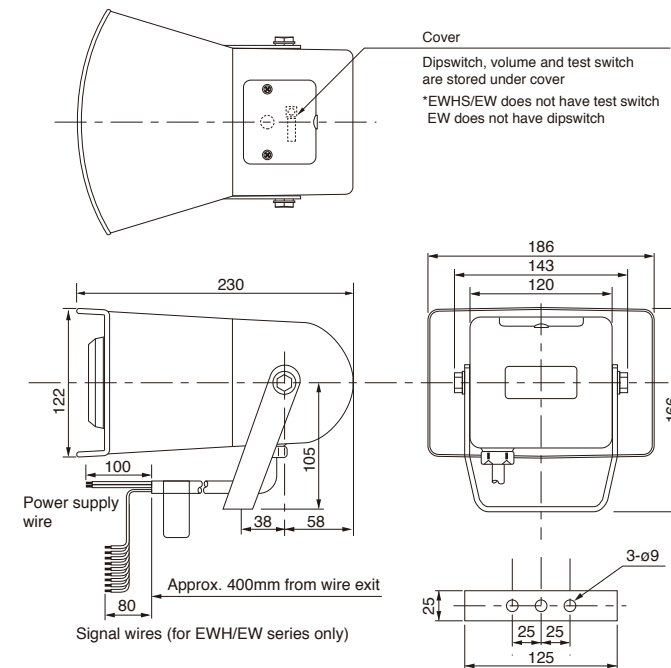
Type E

Beep (slow intermittent horn)	Stutter (rapid intermittent horn)	Inverted Recelle	Annie Laurie
Stutter (rapid intermittent horn)	Synthesized Melody Chime	Galactic Motor	London Bridge is Falling Down
Bell (clear highpitched bell)	Chime	Ringin' Phone	Mary Had a Little Lamb
Yelp (rapid siren)	Call Sign	Two Tone	Campdown Races
Rapid Hi-Lo	Train Ride	Alarm Clock	Amaryllis
Melody Chime	Galloping Hi-Lo	Ringin' Hi-Lo	Mozart Symphony No.40
Synthesized Piano	Alien Chatter	Fur Elise	Ave Maria
Synthesized Bell	Falling Crystals	Minuet in G	Grandfather's Clock

4 alarms (EW-TB)

ch	1	2	3	4
EW-TB	Stutter	Chime	Beep	Yelp

Dimensions (mm)



Test switch (for EWH series only)

Test switch is stored under cover. Switch can be used to check the operation or adjust sound volume.

EWH / EWHS / EW type

Model	Rated Voltage	Voltage Range	Power Consumption	Volume	Outer Contact Capacity	Operating Temperature Range	Auxiliary Input	Channel	Protection	Mass
EWH-24	12/24V AC/DC	8V~28V AC/9V~35V DC	8W	Max. 105dB at 1m	EW: More than 10mA EWH/EWHS: More than 5A	-20°C~+60°C Humidity 85% or less.	EWH: Voltage free contact 8/1bit or 32/binary EWHs: Voltage contact	8/1bit or 32/binary	IP53 IP65*	1.2kg
EWH-48	48V DC	35V~60V DC	10W							1.4kg
EWH-100	100V AC	90V~132V AC	12W							1.4kg
EWH-200	200V AC	180V~260V AC	13W							1.2kg
EWHS-24	12/24V AC/DC	8V~28V AC/9V~35V DC	8W	Max. 103dB at 1m			Voltage free contact 4/1bit	4		1.2kg
EWHS-48	48V DC	35V~60V DC	10W							1.4kg
EWHS-100	100V AC	90V~132V AC	12W							1.4kg
EWHS-200	200V AC	180V~260V AC	13W							1.2kg
EW-24TB	24V AC/DC	20V~26V AC/20V~28V DC	5.5W							1.2kg
EW-100TB	100V AC	90V~110V AC	5W							1.4kg
EW-220TB	220V AC	180V~240V AC	5W							1.4kg

* By special order