

KUS

Cube Tower

LED



Bulb

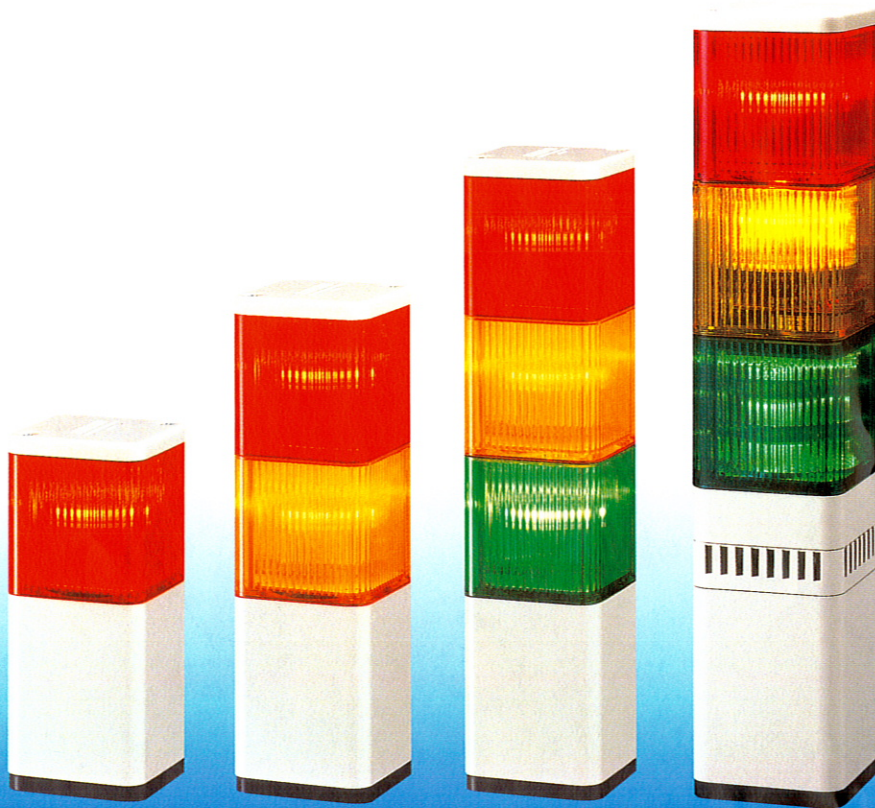


80dB at 1m
(KUS-B type)

Electronic Sound 1
(KUS-B type)

□70

IP54
(except the KUS-B)

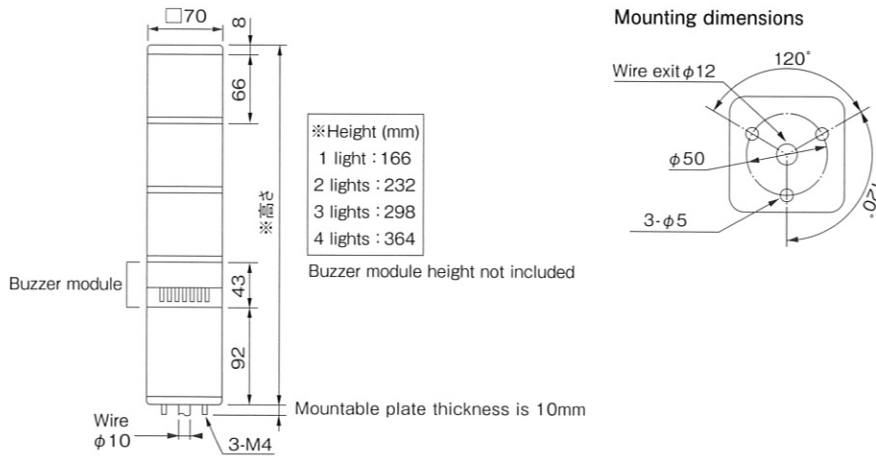


The KUS Series cube tower, with advanced technology, combines two different lights on one unit and has a modular design.

- IP Rating:IP-54(except the KUS-B).
- Lenses:Made of heat & shock resistant polycarbonate resin.
- Light modules can be stacked up to 4 tiers in any color combination.
- Each light module has a built-in dip switch to control the light on or off.
- Light units and base unit sold separately.
- Maximum operating capacity of base unit is 21 watts.
- KUS-F flashes 60 times a minute.

Available by Special Order

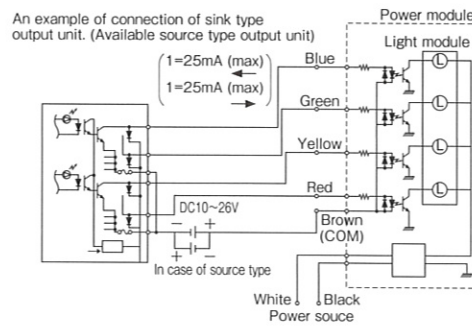
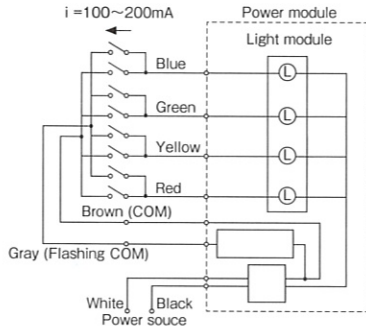
- CE Compliance.



Wiring Diagram

Contact input type
(KUS, KUS-F)

Open-collector applicable type
(KUS-FC, C)



Transistor(NPN/PNP)

Model	NPN (2SC, 2SD)	PNP (2SA, 2SB)
Current Capacity	$I_c > 50 \text{mA}$	
Withstanding Voltage	$V_c > 45 \text{V}$	

Power source wire 0.75mm^2 : UL1007 : 400mm
Signal wire 0.3mm^2 : UL1007 : 350mm

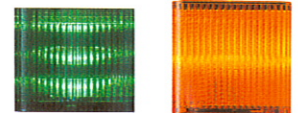
KUS Type

Power module

Module Type	Model	Rated Voltage	Power Consumption
Continuous Lighting	KUS-24	AC/DC24V	Max.21W
	KUS-100	AC100V	
	KUS-120	AC120V	
	KUS-220	AC220V	
Continuous Lighting or Flashing	KUS-24F	AC/DC24V	
	KUS-100F	AC100V	
	KUS-120F	AC120V	
	KUS-220F	AC220V	
Continuous Lighting with Open-collector Wiring	KUS-24C	AC/DC24V	
	KUS-100C	AC100V	
	KUS-120C	AC120V	
	KUS-220C	AC220V	
Continuous Lighting or Flashing with Open-collector Wiring	KUS-24FC	AC/DC24V	
	KUS-100FC	AC100V	
	KUS-120FC	AC120V	
	KUS-220FC	AC220V	

Model	Rated Voltage	Power Consumption	Bulb	No.
KUS-S(Bulb)	DC24V	6W	24V 6W	19
KUS-EA(LED)	DC24V	R, Y : 1.2W/G, B, C : 0.9W		

Bulb... G14 BA9S



Model	Rated Voltage	Power Consumption	Volume
KUS-B	DC24V	0.5W	80dB (at 1m) ※

※Buzzer pressure 0~70db (at 1m) (24V type)

