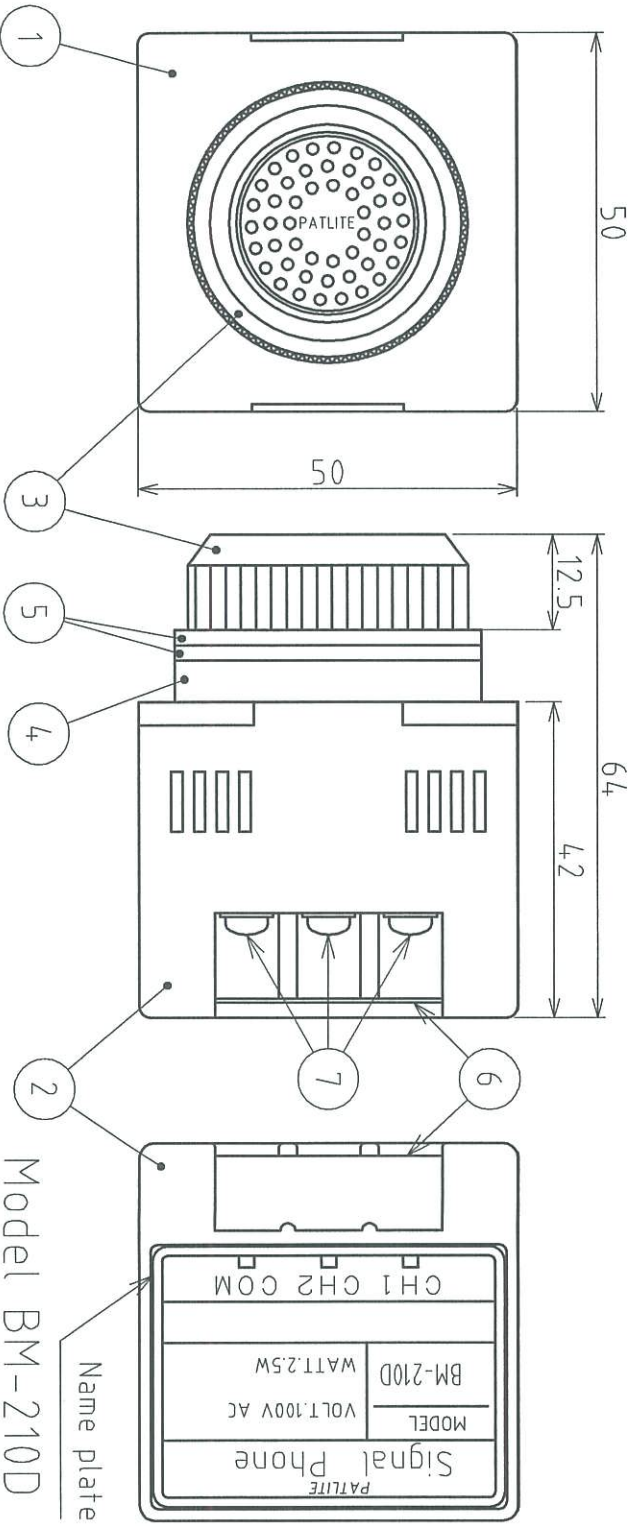


指定公差	角度公差	公差	符号	年月日	訂正履歴	記号
Angular tolerance	Angular tolerance	Dimensional tolerance	Sym.	Date	Revisions	Sgn. Chk. App.
短辺 length of short side	短辺 length of short side	短辺 length of short side	△			
粗さ roughness	粗さ roughness	粗さ roughness	△			
公差 tolerance	公差 tolerance	公差 tolerance	△			
粗さ roughness	粗さ roughness	粗さ roughness	△			
公差 tolerance	公差 tolerance	公差 tolerance	△			

[Model No. configuration]
 # BM-210D FC001
 Rated voltage: 02:24V AC/DC
 10:100V AC
 12:120V AC
 20:220V AC
 D:Waterproof structure
 H:Large volume
 No:Standard
 Tokupo No.



Mounting hole
 Wiring example



Mounting board thickness=5mm or less
 AC/DC type.
 Therefore, power supply's polarity isn't mentioned.



[Specifications]

Model	#BM-202 FC001 #BM-210 FC001 #BM-212 FC001 #BM-220 FC001 #BM-202D FC001 #BM-210D FC001 #BM-212D FC001 #BM-220D FC001 #BM-202H FC001 #BM-210H FC001 #BM-212H FC001 #BM-220H FC001
Rated voltage	24V AC/DC 100V AC 120V AC 220V AC
Operating range	Rated voltage ±10%
Power Consumption	0.4W 2.5W 3.5W
Maximum sound output	#BM-2* * type Approx. 80dB at 1m #BM-2* * D type Approx. 85dB at 1m #BM-2* * H type Approx. 75dB at 1m
Sound	CH1(Pipo), CH2(Pipipi...)
Priority	CH1> CH2
Transducer	Piezo electric speaker
Operating temperature range	-10°C ~ +60°C (Humidity range 85% or less)
Vibration proof	19.6m/s ²
Noise proof	Pulse noise 1μs 500V Pulsed noise 1μs 1000V
Insulation resistance	To be measured with an insulation measuring device of 500V DC between the power supply terminals and the mounting ring. MORE THAN 1MΩ
Voltage proof	Between the power wire and the mounting ring. AC 500V 1 minute AC 1500V 1 minute
Rated time	Continuous
Mounting place	#BM-2* * type Indoor use only #BM-2* * D type Outdoor:Upright Indoor:Upright,Updown&Sideways #BM-2* * H type Indoor use only #BM-2* * type IP30
Water proof	#BM-2* * D type IP34 #BM-2* * H type IP30 Mass 100g

7	Terminal screw	3	M3 MBNI	
6	Terminal cover	1	FR765	Black
5	Rubber packing B	2	NBR t=2.0	
4	Rubber packing A	1	NBR t=3.5	
3	Ring	1	ABS Nickel-Chrome plating	Silver
2	Body B	1	ABS	Black
1	Body A	1	ABS	Black
番号	部品名	数量	材料 & 寸法 & 処理	記事
No.	Part Name	Qty.	Material & Size & Finish	Remarks
設計	製図	承認	図名	機種名
Dgn by	Drn by	Chk by	App by	Name
M. Yoshida	I. Fujiwara	M. Yoshida	W. Nakao	Specifications
27.Oct.'97	18.Feb.'08	19.Feb.'08	20.Feb.'08	Refor to Specifications
三角法	単位 Unit	尺度 Scale	1:1	品目コード Part No.
3rd Angle P.	mm			—
				株式会社 PATLITE Corporation
				Drawing No. BM-FC001-A18A

- 発行先 部数
- 製造
- 製造技術
- 購買 生産
- 部品管理
- 品質管理
- 海外生産
- 配送
- 技術
- ソフト
- 営業拠点
- 営業企画
- CS室
- 生技
- 合計

1 2 3 4 5 6 7 8